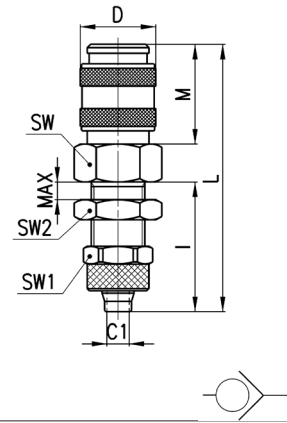


Fittings Mod. 5055 Series Mini



Quick Coupling Bulkhead Push-on

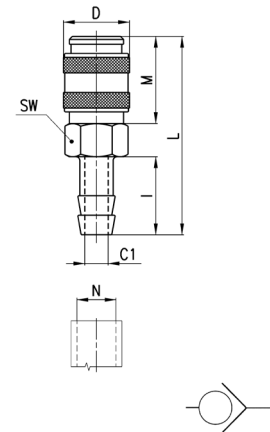


DIMENSIONS												
Mod.	Tube	∅	C1	D	I	L	M	Max	SW	SW1	SW2	Weight (g)
5055 6/4	6/4	5	3	17	29	58	20.5	10	14	12	14	44
5055 8/6	8/6	5	5	17	29	58	20.5	11	17	14	17	52

Fittings Mod. 5056 Series Mini and Mod. 5086 European Standard



Quick Coupling Hose Adapter

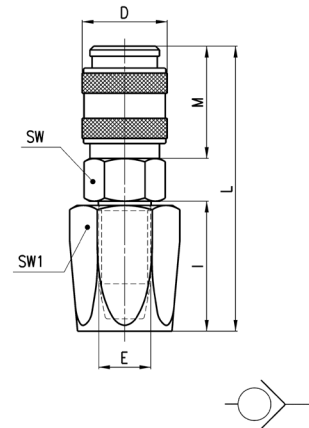


DIMENSIONS										
Mod.	N	∅	C1	D	I	L	M	SW	Weight (g)	
5056 06	6	5	3	17	20	49	20.5	14	30	
5056 09	9	5	5	17	20	49	20.5	14	32	
5086 09	9	7	5	25	20	59,5	34,5	22	95	
5086 12	12	7	8	25	20	59,5	34,5	22	96	

Fittings Mod. 5057 Series Mini and Mod. 5087 European Standard



Quick Coupling Hose Connector

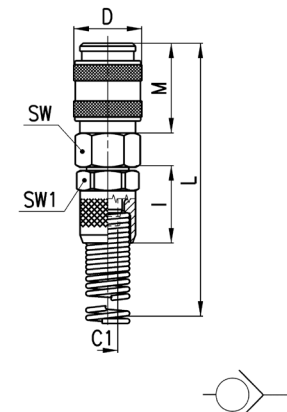


DIMENSIONS										
Mod.	Tube	∅	E	D	I	L	M	SW	SW1	Weight (g)
5057 6x14	6 x 14	5	9	17	25	54,5	20.5	17	17	62
5087 6x14	6 x 14	7	9	25	25	64,5	34,5	22	17	117
5087 8x17	8 x 17	7	10	25	25	64,5	34,5	22	19	123
5087 10x19	10 x 19	7	12	25	27	66,5	34,5	22	22	141
5087 13x23	13 x 23	7	15	25	37	76,5	34,5	22	27	195

Fittings Mod. 5058 Series Mini and Mod. 5088 European Standard



Quick Coupling with Spring



DIMENSIONS										
Mod.	Tube	∅	C1	D	I	M	L	SW	SW1	Weight (g)
5058 6/4	6/4	5	3	17	19	20.5	120.5	14	14	48
5058 8/6	8/6	5	5	17	19	20.5	124.5	14	14	54
5088 8/6	8/6	7	5	25	19	34,5	135	22	14	118
5088 10/8	10/8	7	6,5	25	21,5	34,5	139,5	22	16	125