

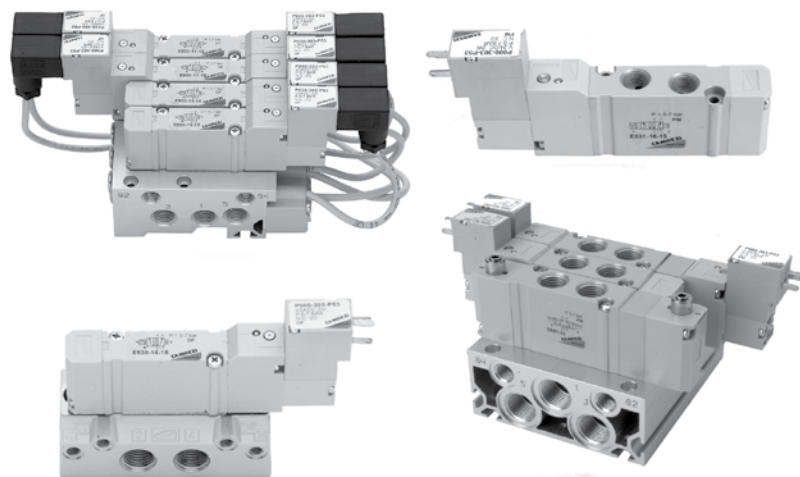
# Valves and Solenoid valves Series E

2

5/2 -way monostable/bistable 5/3 C.C. C.O. C.P.

With outlets on the body

For individual or manifold assembly, Size 10,5, 16 and 19 mm



The Series E valves have been designed to allow high flows with small overall dimensions. These valves are manufactured in three different sizes and are suitable for individual use or for mounting on manifolds.

The manifolds allow a common inlet as well as the two exhausts and the pilot exhaust in common.

## GENERAL DATA

<b>Construction</b>	spool-type
<b>Valve functions</b>	5/2, 5/3 C.C. C.O. C.P.
<b>Materials</b>	aluminium body, spool and sub-bases; technopolymer end-covers, joints NBR PU
<b>Ports</b>	M5, G1/8, G1/4, tube 4
<b>Temperature</b>	0°C min. + 50°C max
<b>Fluid</b>	filtered air (5 micron or lower), without lubricant; if lubricated air is used, it is recommended to use ISOVG32 oil. Once applied the lubrication should never be interrupted.
<b>Voltage</b>	see coding
<b>Voltage tolerance</b>	± 10%
<b>Power consumption</b>	2W, 1W
<b>Class of insulation</b>	class F
<b>Protection class</b>	IP65 with connector DIN 40050 size 10,5 IP50

**CODING EXAMPLE**

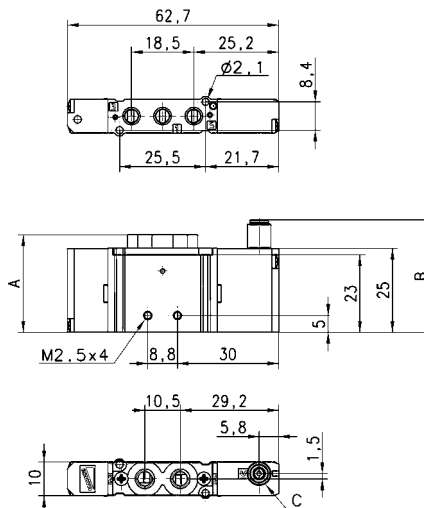
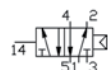
<b>E</b>	<b>5</b>	<b>3</b>	<b>1</b>	<b>-</b>	<b>11</b>	<b>15</b>	<b>-</b>	<b>P</b>	<b>5</b>	<b>3</b>
----------	----------	----------	----------	----------	-----------	-----------	----------	----------	----------	----------

<b>E</b>	SERIES
<b>5</b>	FUNCTION: 2 = 5/2 supply from the exhausts 5 = 5/2 6 = 5/3 Centres Closed 7 = 5/3 Centres Open 8 = 5/3 Centres in Pressure
<b>3</b>	SIZE: 2 = size 10,5 3 = size 16 5 = size 19
<b>1</b>	BODY TYPE: 1 = body with threaded plate
<b>11</b>	ACTUATION: 11 = electro-pneumatic, bistable 16 = electro-pneumatic, monostable 33 = pneumatic bistable - tube 3 36 = pneumatic monostable - tube 4 C33 = pneumatic bistable - tube 4 C36 = pneumatic monostable - tube 4
<b>15</b>	INTERFACE: 10 15
<b>P</b>	TYPE OF SOLENOID: K P W
<b>5</b>	SOLENOID DIMENSION: 1 = 10x10 5 = 15x15
<b>3</b>	SOLENOID VOLTAGE: 1 = 6V DC (size 10,5) 2 = 12V DC (size 10,5) 3 = 24V DC (size 10,5 - 16 - 19) 4 = 48V DC (size 16 - 19) 6 = 110V DC (size 16 - 19) L = 12V 50/60 Hz (size 16 - 19) B = 24V 50/60 Hz (size 16 - 19) C = 48V 50/60 Hz (size 16 - 19) D = 110V 50/60 Hz (size 16 - 19)

Pneumatically actuated valve, monostable - size 10,5

5/2 way.

Note: the pilot pressure should never be lower than the operating pressure.

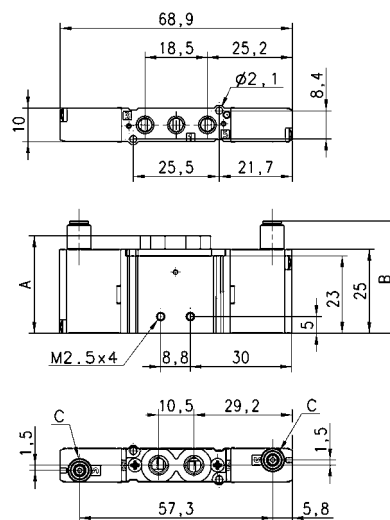


DIMENSIONS

Mod.	A	B	C	Ports 1-3-5	Ports 2-4	min. pil P. (bar)	working P. bar	Flow rate NL/min
<b>E521-36</b>	29	33,4	$\phi 3$	M5	M5	2,5	2,5 + 7	200
<b>E521-C36</b>	29	39,1	$\phi 4$	M5	M5	2,5	2,5 + 7	200

Pneumatically actuated valve, bistable - size 10,5

5/2 way

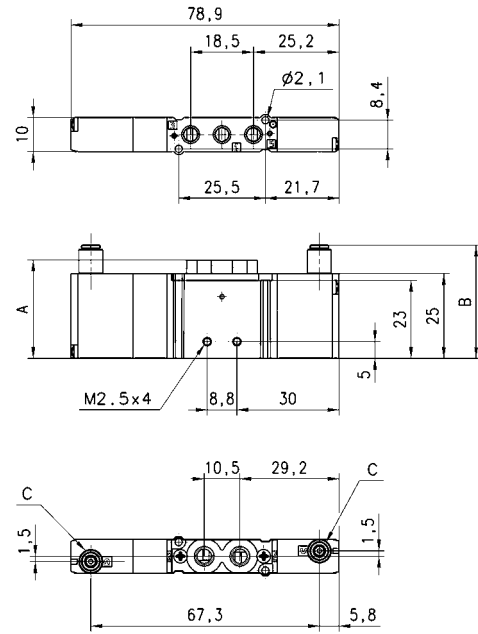


DIMENSIONS

Mod.	A	B	C	Ports 1-3-5	Ports 2-4	min. pil P. bar	working P. bar	Flow rate (NL/min)
<b>E521-33</b>	29	33,4	$\phi 3$	M5	M5	1	-09 + 7	200
<b>E521-C33</b>	29	39,1	$\phi 4$	M5	M5	1	-09 + 7	200

Pneumatically actuated valve - size 10,5

5/3 way  
 C.C. = Centres closed  
 C.O. = Centres open  
 C.P. = Pressure centres

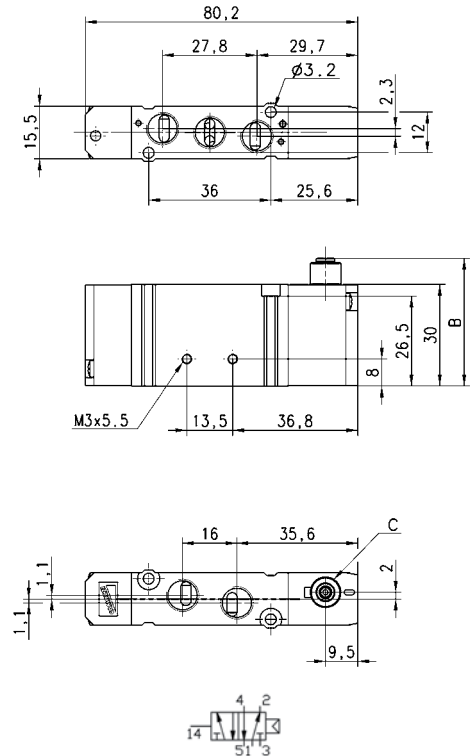


DIMENSIONS										
Mod.	A	B	C	Ports 1-3-5	Ports 2-4	min. pil P. bar	working P. bar	Flow rate NL/min	Symbol	
E621-33	29	33,4	$\phi 3$	M5	M5	1	-0,9 ÷ 7	200	B1	
E621-C33	29	39,1	$\phi 4$	M5	M5	1	-0,9 ÷ 7	200	B1	
E721-33	29	33,4	$\phi 3$	M5	M5	1	-0,9 ÷ 7	200	C1	
E721-C33	29	39,1	$\phi 4$	M5	M5	1	-0,9 ÷ 7	200	C1	
E821-33	29	33,4	$\phi 3$	M5	M5	1	-0,9 ÷ 7	200	D1	
E821-C33	29	39,1	$\phi 4$	M5	M5	1	-0,9 ÷ 7	200	D1	



Pneumatically actuated valve, monostable - size 16

5/2 ways

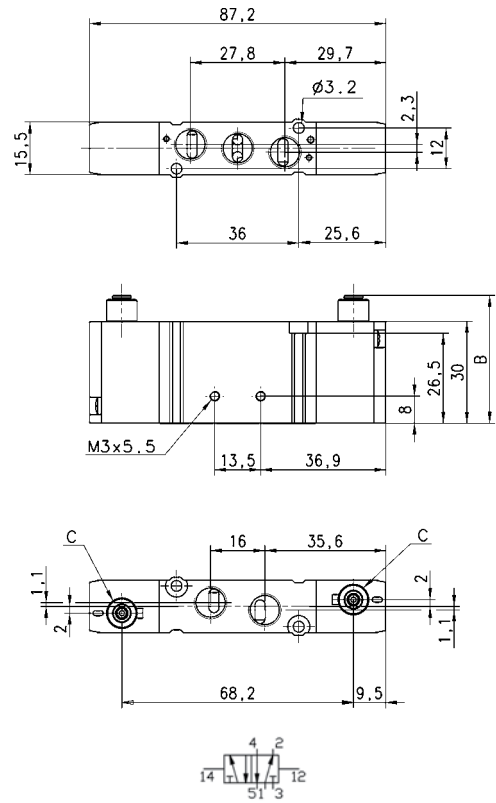


DIMENSIONS							
Mod.	B	C	Ports 1-3-5	Ports 2-4	min. pil P. bar	working P. bar	Flow rate NL/min
E531-36	37,6	$\phi 3$	G1/8	G1/8	2,5	2,5 ÷ 7	550
E531-C36	41,6	$\phi 4$	G1/8	G1/8	2,5	2,5 ÷ 7	550

N.B.: The pilot pressure should never be lower than the operating pressure.

Pneumatically actuated valve, bistable - size 16

5/2 way

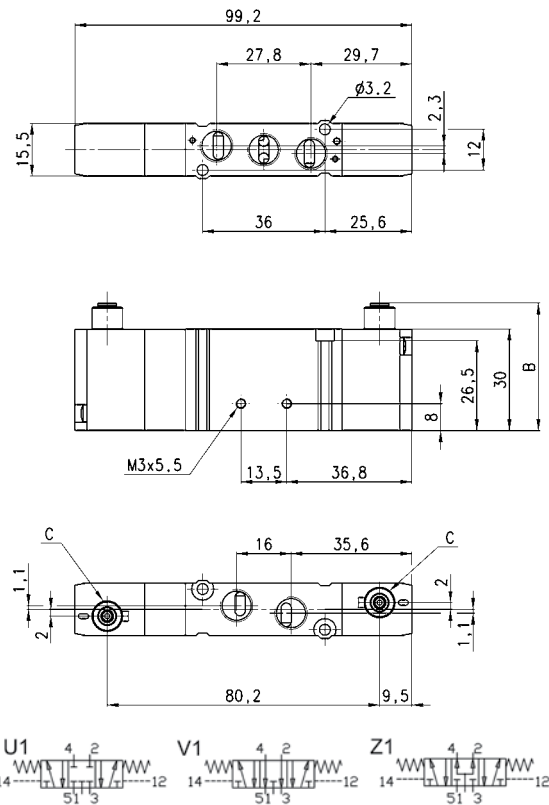


DIMENSIONS							
Mod.	B	C	Ports 1-3-5	Ports 2-4	min. pil P. bar	working P. bar	Flow rate NL/min
<b>E531-33</b>	37,6	Ø 3	G1/8	G1/8	2	-0,9 + 7	550
<b>E531-C33</b>	41,6	Ø 4	G1/8	G1/8	2	-0,9 + 7	550

Pneumatically actuated valve - size 16

5/3 way

- C.C. = Centres Closed
- C.O. = Centres Open
- C.P. = Centres in Pressure



DIMENSIONS								
Mod.	B	C	Ports 1-3-5	Ports 2-4	min. pil P. bar	working P. bar	Flow rate NL/min	Symbol
<b>E631-33</b>	37,6	Ø 3	G1/8	G1/8	3	-0,9 + 7	550	U1
<b>E631-C33</b>	41,6	Ø 4	G1/8	G1/8	3	-0,9 + 7	550	U1
<b>E731-33</b>	37,6	Ø 3	G1/8	G1/8	3	-0,9 + 7	550	V1
<b>E731-C33</b>	41,6	Ø 4	G1/8	G1/8	3	-0,9 + 7	550	V1
<b>E831-33</b>	37,6	Ø 3	G1/8	G1/8	3	-0,9 + 7	550	Z1
<b>E831-C33</b>	41,6	Ø 4	G1/8	G1/8	3	-0,9 + 7	550	Z1

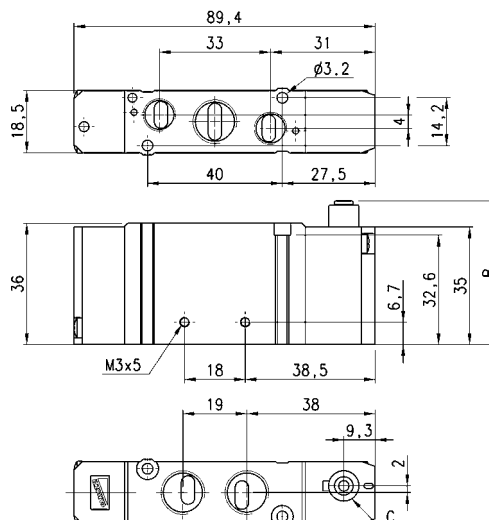


Pneumatically actuated valve, monostable - size 19

5/2 ways



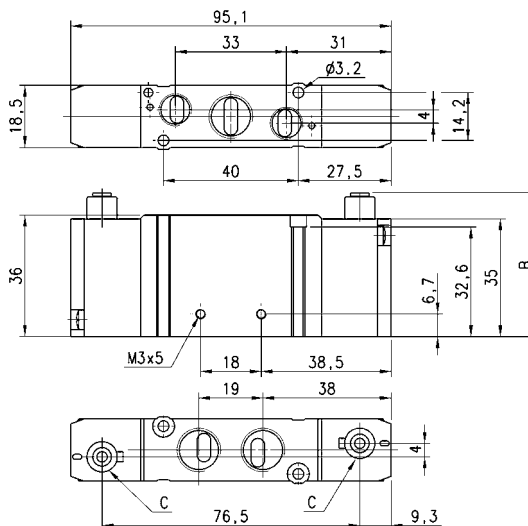
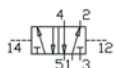
Note: The pilot pressure should never be lower than the operating pressure.



DIMENSIONS								
Mod.	B	C	1	Ports 3-5	Ports 2-4	min. pil P. bar	working P. bar	Flow rate NI/min
<b>E551-36</b>	42,7	Ø 3	G1/4	G1/8	G1/4	2	1 ÷ 7	920
<b>E551-C36</b>	46,7	Ø 4	G1/4	G1/8	G1/4	2	1 ÷ 7	920

Pneumatically actuated valve, bistable - size 19

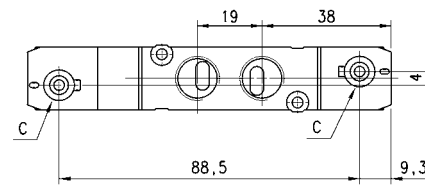
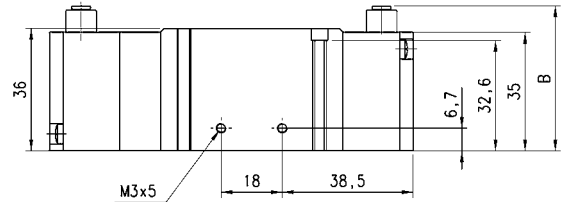
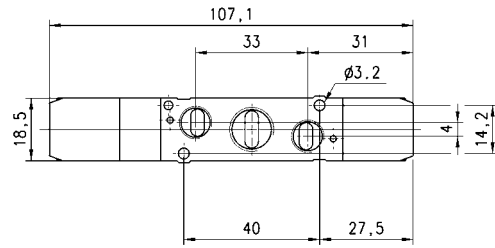
5/2 way.



DIMENSIONS								
Mod.	B	C	1	Ports 3-5	Ports 2-4	min. pil P. bar	working P. bar	Flow rate NI/min
<b>E551-33</b>	42,7	Ø 3	G1/4	G1/8	G1/4	1	-0,9 ÷ 7	920
<b>E551-C33</b>	46,7	Ø 4	G1/4	G1/8	G1/4	1	-0,9 ÷ 7	920

Pneumatically actuated valve - size 19

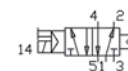
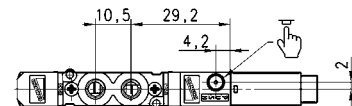
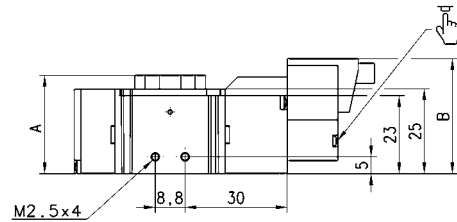
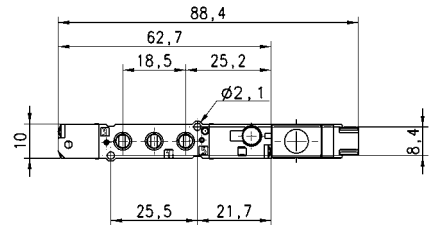
5/3 way,  
 C.C. = Centres Closed  
 C.O. = Centres Open  
 C.P. = Centres in Pressure



DIMENSIONS									
Mod.	B	C	Port 1	Ports 3-5	Ports 2-4	min. pil P. bar	working P. bar	Flow rate NI/min	Symbol
E651-33	42,7	Ø 3	G1/4	G1/8	G1/4	2	-0,9 + 7	920	U1
E651-C33	46,7	Ø 4	G1/4	G1/8	G1/4	2	-0,9 + 7	920	U1
E751-33	42,7	Ø 3	G1/4	G1/8	G1/4	2	-0,9 + 7	920	V1
E751-C33	46,7	Ø 4	G1/4	G1/8	G1/4	2	-0,9 + 7	920	V1
E851-33	42,7	Ø 3	G1/4	G1/8	G1/4	2	-0,9 + 7	920	Z1
E851-C33	46,7	Ø 4	G1/4	G1/8	G1/4	2	-0,9 + 7	920	Z1

Electropneumatically actuated valve, monostable - size 10,5

5/2 way



For solenoid valves with solenoid type K, use connector 121-800

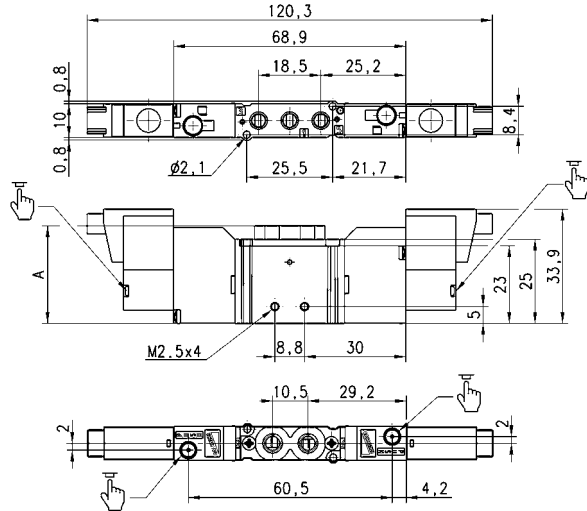
DIMENSIONS					
Mod.	A	Ports 1-3-5	Ports 2-4	working P. bar	Flow rate NI/min
E521-16-10-K10	29	M5	M5	2 + 7	200

Electropneumatically actuated valve, bistable - size 10,5

5/2 way



For solenoid valves with solenoid type K, use connector 121-800.



Mod.	A				Flow rate NI/min
E521-11-10-K10	29	M5	M5	1 + 7	200

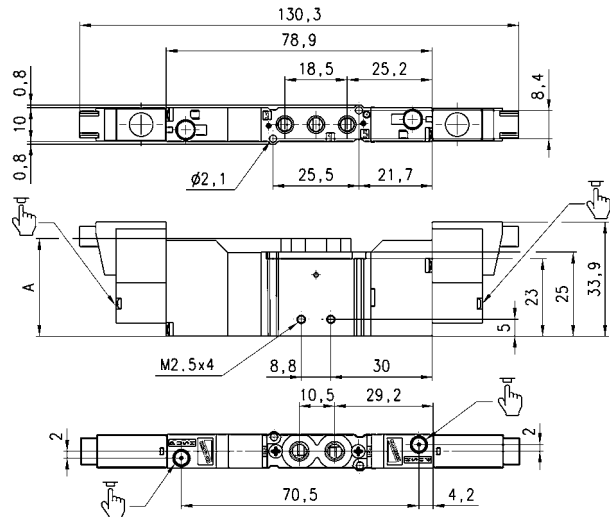
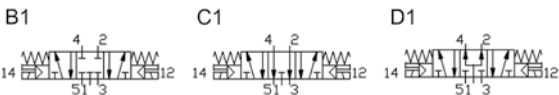
Electropneumatically actuated valve - size 10,5

5/3 ways

- C.C. = Centres Closed
- C.O. = Centres Open
- C.P. = Centres in Pressure



For solenoid valves with solenoid type K, use connector 121-800.



Mod.	A	Ports 1-3-5	Ports 2-4		Flow rate NI/min	Symbol
E621-11-10-K10	29	M5	M5	2 + 7	200	B1
E721-11-10-K10	29	M5	M5	2 + 7	200	C1
E821-11-10-k10	29	M5	M5	2 + 7	200	D1

The company reserves the right to vary models and dimensions without notice. Products designed for industrial applications. Sale to general public is forbidden.

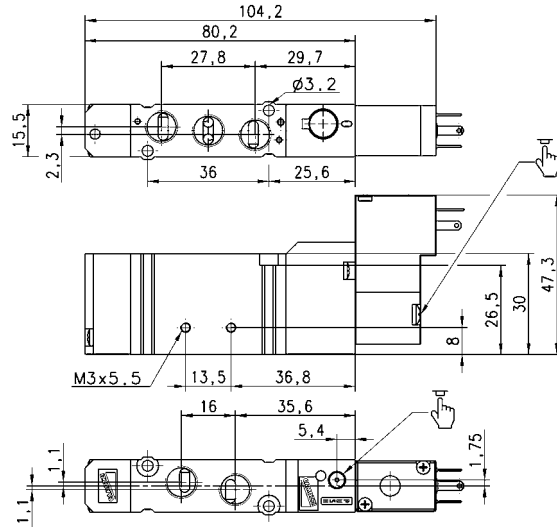


Electropneumatically actuated valve, monostable - size 16

5/2 way



For solenoid valves with solenoid type P, use connector 125-800.  
For solenoid valves with solenoid type W, use connector 126-800.



DIMENSIONS

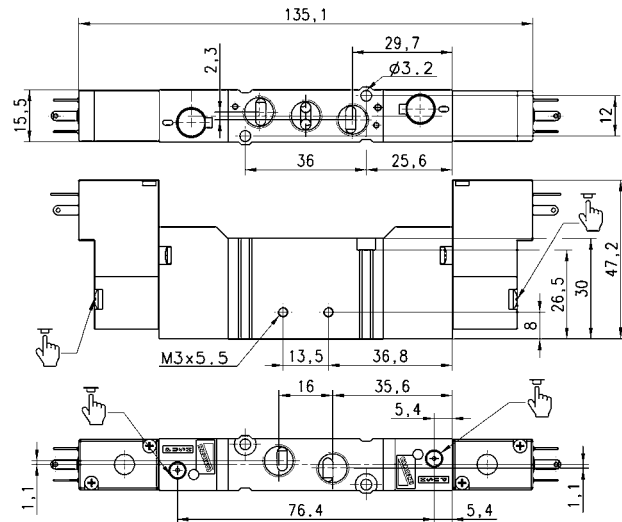
Mod.	Ports 1-3-5	Ports 2-4	working P. bar	Flow rate NI/min
E531-16-15-P50	G1/8	G1/8	2,5 + 7	550

Electropneumatically actuated valve, bistable - size 16

5/2 way



For solenoid valves with solenoid type P, use connector 125-800.  
For solenoid valves with solenoid type W, use connector 126-800.



DIMENSIONS

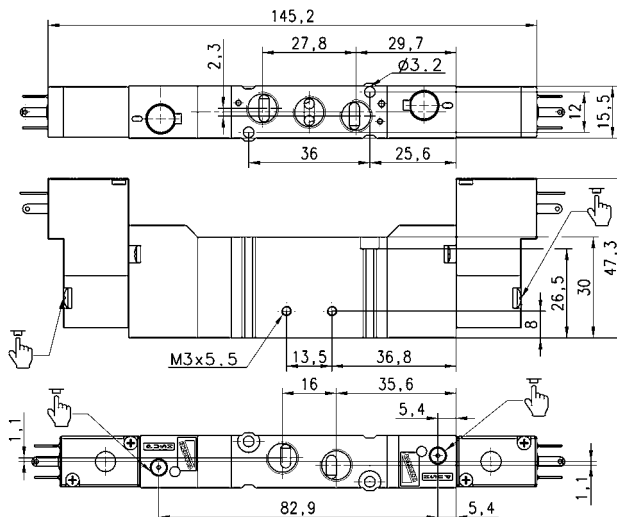
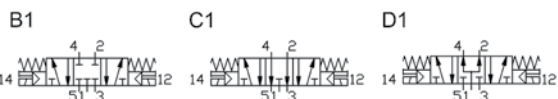
Mod.	Ports 1-3-5	Ports 2-4	working P. bar	Flow rate NI/min
E531-11-15-P50	G1/8	G1/8	2 + 7	550

Electropneumatically actuated valve - size 16

5/3 way  
 C.C. = Centres Closed  
 C.O. = Centres Open  
 C.P. = Centres in Pressure



For solenoid valves with solenoid type P, use connector 125-800.  
 For solenoid valves with solenoid type W, use connector 126-800.



DIMENSIONS

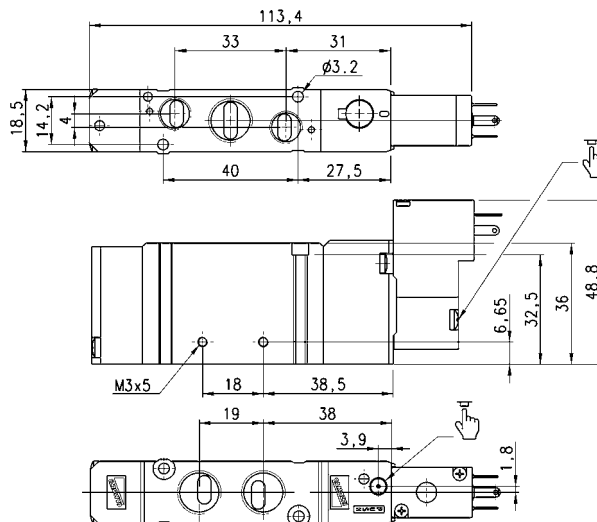
Mod.	Ports 1-3-5	Ports 2-4	working P. bar	Flow rate NI/min	Symbol
E631-11-15-P50	G1/8	G1/8	3 + 7	550	B1
E731-11-15-P50	G1/8	G1/8	3 + 7	550	C1
E831-11-15-P50	G1/8	G1/8	3 + 7	550	D1

Electropneumatically actuated valve, monostable - size 19

5/2 way



For solenoid valves with solenoid type P, use connector 125-800.  
 For solenoid valves with solenoid type W, use connector 126-800.



DIMENSIONS

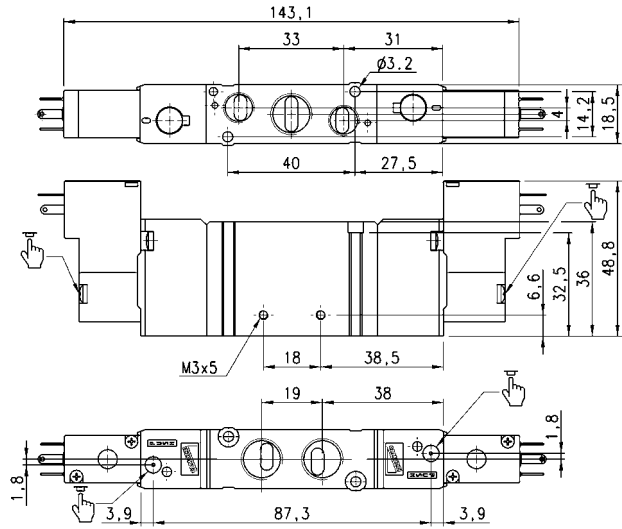
Mod.	Port 1	Ports 3-5	Ports 2-4	working P. bar	Flow rate NI/min
E551-16-15-P50	G1/4	G1/8	G1/4	2 + 7	920

Electropneumatically actuated valve, bistable - size 19

5/2 way



For solenoid valves with solenoid type P, use connector 125-800.  
For solenoid valves with solenoid type W, use connector 126-800.



Mod.	Port 1	Ports 3-5	Ports 2-4	working P. bar	Flow rate NI/min
E551-11-15-P50	G1/4	G1/8	G1/4	1 + 7	920

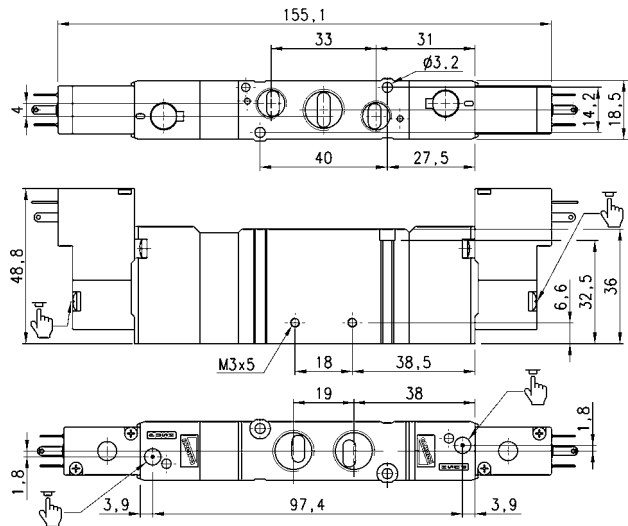
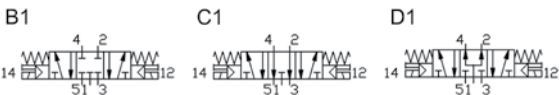
Electropneumatically actuated valve - size 19

5/3 way

- C.C. = Centres Closed
- C.O. = Centres Open
- C.P. = Centres in Pressure



For solenoid valves with solenoid type P, use connector 125-800.  
For solenoid valves with solenoid type W, use connector 126-800.



Mod.	Port 1	Ports 3-5	Ports 2-4	working P. bar	Flow rate NI/min	Symbol
E651-11-15-P50	G1/4	G1/8	G1/4	2 + 7	920	B1
E751-11-15-P50	G1/4	G1/8	G1/4	2 + 7	920	C1
E851-11-15-P50	G1/4	G1/8	G1/4	2 + 7	920	D1

**CODING EXAMPLE**

<b>E</b>	<b>5</b>	<b>3</b>	<b>0</b>	<b>-</b>	<b>11</b>	<b>-</b>	<b>15</b>	<b>-</b>	<b>P</b>	<b>5</b>	<b>3</b>
----------	----------	----------	----------	----------	-----------	----------	-----------	----------	----------	----------	----------

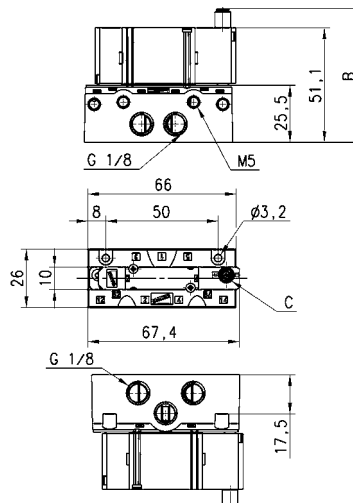
<b>E</b>	SERIES:
<b>5</b>	FUNCTION: 2 = 5/2 supply from the exhausts 5 = 5/2 6= 5/3 Centres Closed 7= 5/3 Centres Open 8= 5/3 Centres in Pressure
<b>3</b>	SIZE: 2 = size 10,5 3 = size 16 5 = size 19
<b>0</b>	BODY TYPE: 0 = body for sub-base
<b>11</b>	ACTUATION: 11 = electropneumatic bistable 16 = electropneumatic monostable 33 = pneumatic bistable - tube Ø 3 36 = pneumatic monostable - tube Ø 3 C33 = pneumatic bistable - tube Ø 4 C36 = pneumatic monostable - tube Ø 4 311 = electro-pneumatic bistable on subbase or manifold 316 = electro-pneumatic monostable on subbase or manifold 333 = pneumatic bistable on sub-base or manifold 336 = pneumatic monostable on sub-base or manifold
<b>15</b>	INTERFACE: 10 15
<b>P</b>	TYPE OF SOLENOID: K - P - W
<b>5</b>	SOLENOID DIMENSIONS: 1 = 10x10 5 = 15x15
<b>3</b>	SOLENOID VOLTAGE: 1 = 6V DC (size 10,5) 2 = 12V DC (size 10,5) 3 = 24V DC (also size 10,5) 4 = 48V DC (16-19) 6 = 110V DC (16-19) L = 12V 50/60 Hz (16-19) B = 24V 50/60Hz (16-19) C = 48V 50/60 Hz (16-19) D = 110V 50/60Hz (16-19)

Pneumatically actuated valve, monostable - size 10,5

5/2 way



The single base is ordered separately from the valve. The pilot pressure should never be lower than the operating pressure.



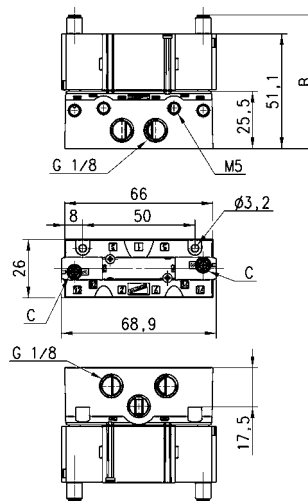
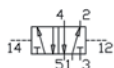
DIMENSIONS					
Mod.	B	C	min. pil P. bar	working P. bar	Flow rate NI/min
<b>E520-36</b>	59,5	Ø3	2,5	2,5 + 7	280
<b>E520-C36</b>	65,2	Ø4	2,5	2,5 + 7	280

Pneumatically actuated valve, bistable - size 10,5

5/2 way



The single base is ordered separately from the valve.



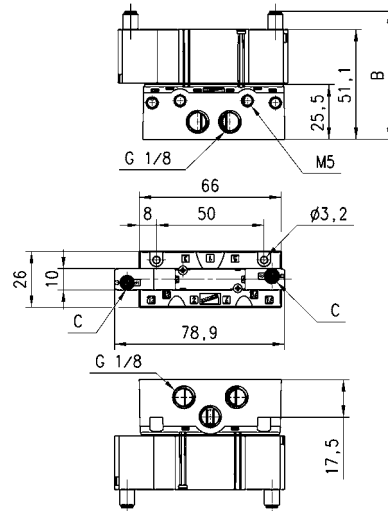
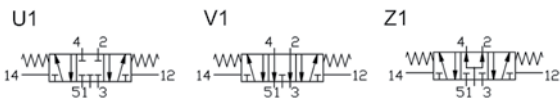
DIMENSIONS					
Mod.	B	C	min. pil P. bar	working P. bar	Flow rate NI/min
<b>E520-33</b>	59,5	Ø3	1	-0,9 + 7	280
<b>E520-C33</b>	65,2	Ø4	1	-0,9 + 7	280

Pneumatically actuated valve - size 10,5

5/2 way  
 C.C. = Centres Closed  
 C.O. = Centres Open  
 C.P. = Centres in Pressure



The single base is ordered separately from the valve.



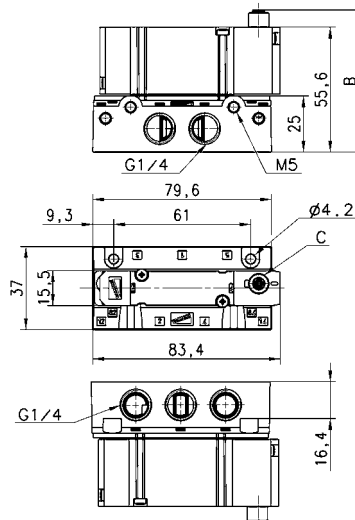
DIMENSIONS						
Mod.	B	C	min. pil P. bar	working P. bar	Flow rate NI/min	Symbol
E620-33	59,5	Ø3	2	-0,9 + 7	280	U1
E620-C33	65,5	Ø4	2	-0,9 + 7	280	U1
E720-33	59,5	Ø3	2	-0,9 + 7	280	V1
E720-C33	65,5	Ø4	2	-0,9 + 7	280	V1
E820-33	59,5	Ø3	2	-0,9 + 7	280	Z1
E820-C33	65,5	Ø4	2	-0,9 + 7	280	Z1

Pneumatically actuated valve, monostable - size 16

5/2 way.



The single base is ordered separately from the valve. The pilot pressure should never be lower than the operating pressure.



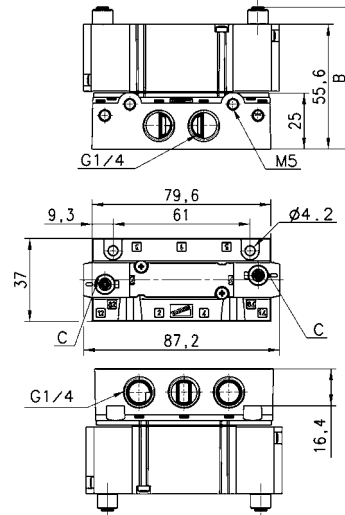
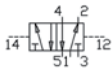
DIMENSIONS					
Mod.	B	C	min. pil P. bar	working P. bar	Flow rate NI/min
E530-36	63,3	Ø3	2,5	2,5 + 7	610
E530-C36	67,3	Ø4	2,5	2,5 + 7	610
E530-336	55,6	-	2,5	2,5 + 7	610

Pneumatically actuated valve, bistable - size 16

5/2 way



The single base is ordered separately from the valve.



DIMENSIONS

Mod.	B	C	min. pil P. bar	working P. bar	Flow rate NI/min
E530-33	63,3	Ø3	2	-0,9 + 7	610
E530-C33	67,3	Ø4	2	-0,9 + 7	610
E530-333	55,6	-	2	-0,9 + 7	610

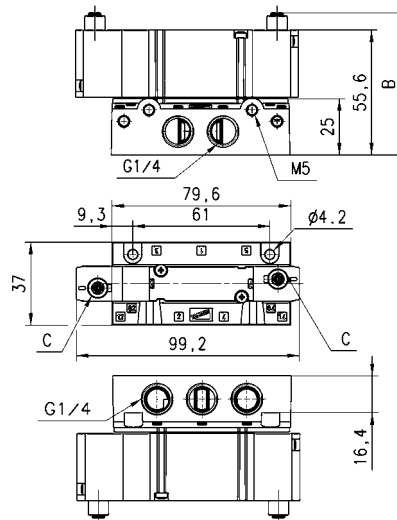
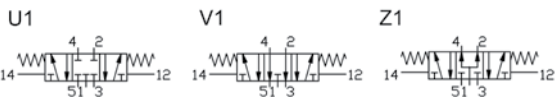
Pneumatically actuated valve - size 16

5/2 way

- C.C. = Centres Closed
- C.O. = Centres Open
- C.P. = Centres in Pressure



The single base is ordered separately from the valve.



DIMENSIONS

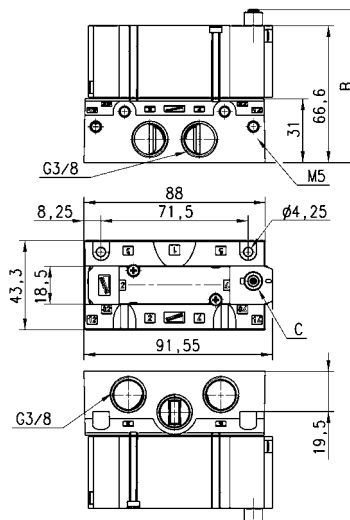
Mod.	B	C	min. pil P. bar	working P. bar	Flow rate NI/min	Symbol
E630-33	63,3	Ø3	3	-0,9 + 7	610	U1
E630-C33	67,3	Ø4	3	-0,9 + 7	610	U1
E630-333	55,6	-	3	-0,9 + 7	610	U1
E730-33	63,3	Ø3	3	-0,9 + 7	610	V1
E730-C33	67,3	Ø4	3	-0,9 + 7	610	V1
E730-333	55,6	-	3	-0,9 + 7	610	V1
E830-33	63,3	Ø3	3	-0,9 + 7	610	Z1
E830-C33	67,3	Ø4	3	-0,9 + 7	610	Z1
E830-333	55,6	-	3	-0,9 + 7	610	Z1

Pneumatically actuated valve, monostable - size 19

5/2 way



The single base is ordered separately from the valve.



DIMENSIONS

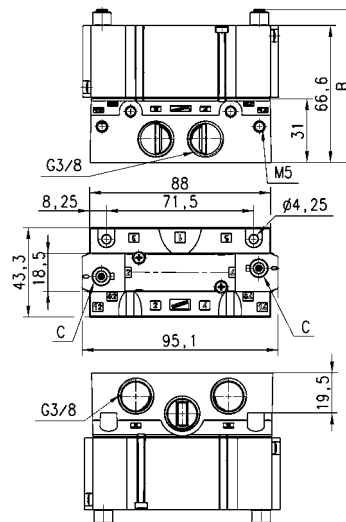
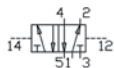
Mod.	B	C	min. pil P. bar	working P. bar	Flow rate NI/min
E550-36	74,3	Ø3	2	2 ÷ 7	1000
E550-C36	78,3	Ø4	2	2 ÷ 7	1000
E550-336	66,6	-	2	2 ÷ 7	1000

Pneumatically actuated valve, bistable - size 19

5/2 way



The single base is ordered separately from the valve.



DIMENSIONS

Mod.	B	C	min. pil P. bar	working P. bar	Flow rate NI/min
E550-33	74,3	Ø3	1	-0,9 ÷ 7	1000
E550-C33	78,3	Ø4	1	-0,9 ÷ 7	1000
E550-333	66,6	-	1	-0,9 ÷ 7	1000

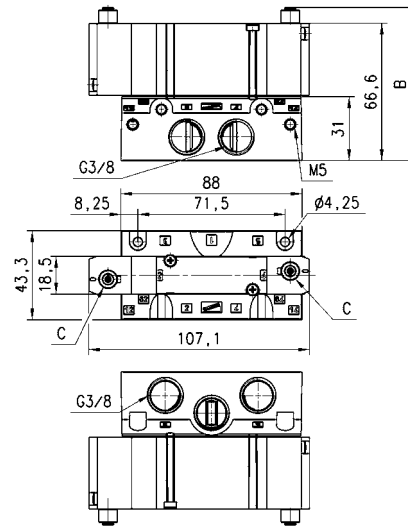
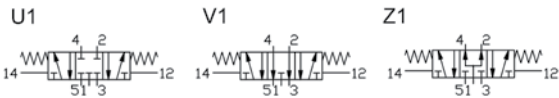


Pneumatically actuated valve - size 19

5/3 way  
 C.C. = Centres Closed  
 C.O. = Centres Open  
 C.P. = Centres in Pressure



The single base is ordered separately from the valve.



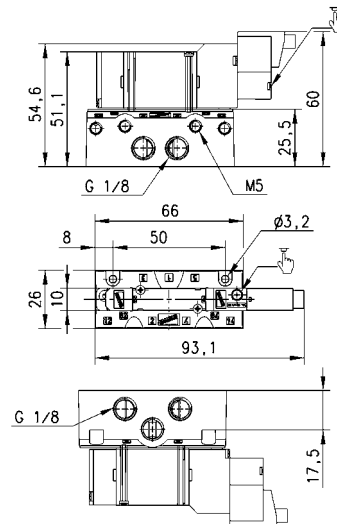
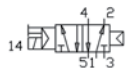
DIMENSIONS						
Mod.	B	C	min. pil P. bar	working P. bar	Flow rate NI/min	Symbol
E650-33	74,3	Ø3	2	-0,9 + 7	1000	U1
E650-C33	78,3	Ø3	2	-0,9 + 7	1000	U1
E650-333	66,6	-	2	-0,9 + 7	1000	U1
E750-33	74,3	Ø3	2	-0,9 + 7	1000	V1
E750-C33	78,3	Ø3	2	-0,9 + 7	1000	V1
E750-333	66,6	-	2	-0,9 + 7	1000	V1
E850-33	74,3	Ø3	2	-0,9 + 7	1000	Z1
E850-C33	78,3	Ø3	2	-0,9 + 7	1000	Z1
E850-333	66,6	-	2	-0,9 + 7	1000	Z1

Electropneumatically actuated valve, monostable - size 10,5

5/2 way



The single base is ordered separately from the valve.  
 In case of separate pilot supply, the pilot pressure should never be lower than the operating pressure.



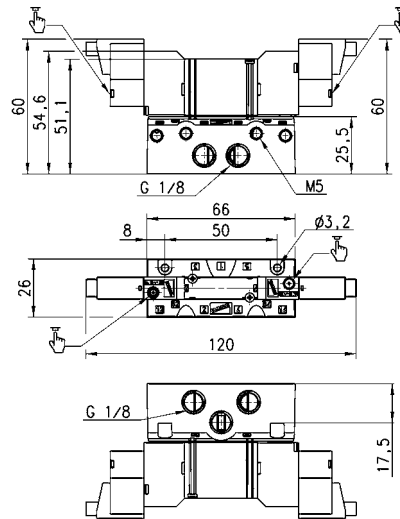
Mod.	working P. bar	Flow rate NI/min
E520-16-10-K10	2 + 7	280

Electropneumatically actuated valve, bistable - size 10,5

5/2 way



The single base is ordered separately from the valve.



Mod.	working P. bar	Flow rate NI/min
E520-11-10-K10	2 ÷ 7	280

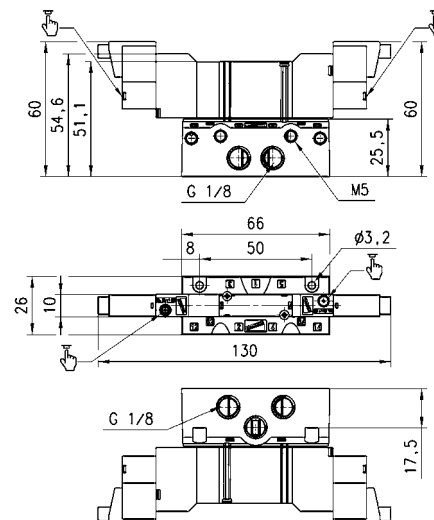
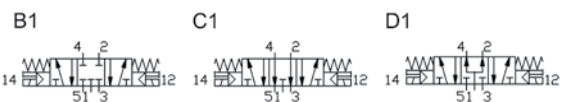
Electropneumatically actuated valve - size 10,5

5/3 way

- C.C. = Centres Closed
- C.O. = Centres Open
- C.P. = Centres in Pressure



The single base is ordered separately from the valve



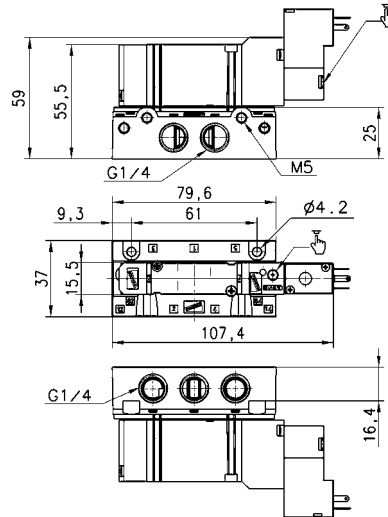
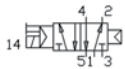
Mod.	working P. bar	Flow rate NI/min	Symbol
E620-11-10-K10	2 ÷ 7	280	B1
E720-11-10-K10	2 ÷ 7	280	C1
E820-11-10-K10	2 ÷ 7	280	D1

Electropneumatically actuated valve, monostable - size 16

5/2 way



The single base is ordered separately from the valve .  
In case of separate pilot supply, the pilot pressure should never be lower than the operating pressure.



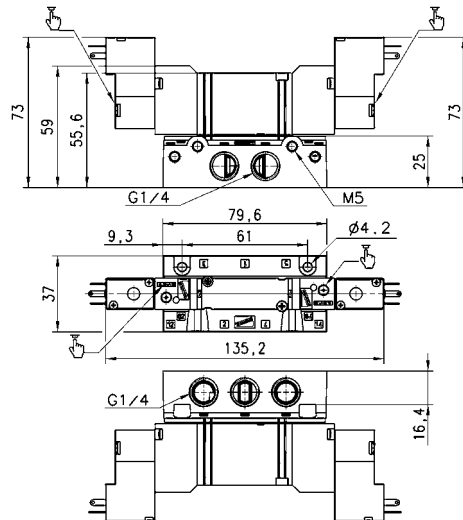
Mod.	working P. bar	Flow rate NI/min
<b>E530-16-15-P50</b>	2,5 ÷ 7	610
<b>E530-316-15-P50</b>	2,5 ÷ 7	610

Electropneumatically actuated valve, bistable - size 16

5/2 way



The single base is ordered separately from the valve.



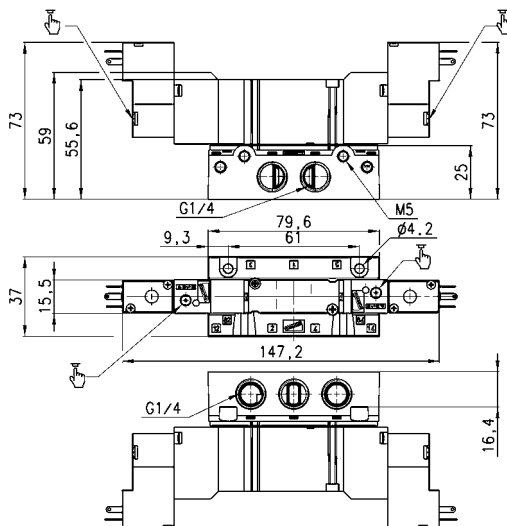
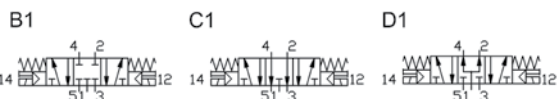
Mod.	working P. bar	Flow rate NI/min
<b>E530-11-15-P50</b>	2 ÷ 7	610
<b>E530-311-15-P50</b>	2 ÷ 7	610

Electropneumatically actuated valve - size 16

5/3 way  
 C.C. = Centres Closed  
 C.O. = Centres Open  
 C.P. = Centres in Pressure



The single base is ordered separately from the valve.



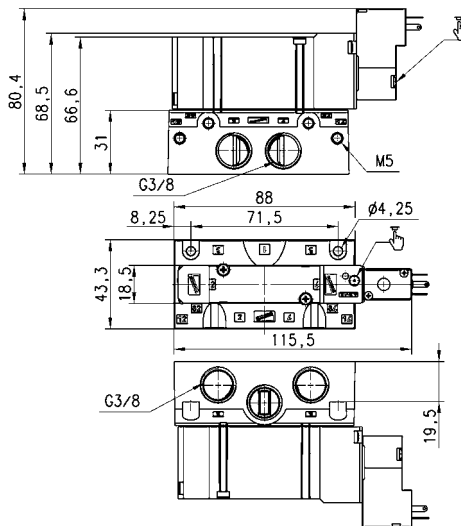
Mod.	working P. bar	Flow rate NI/min	Symbol
E630-11-15-P50	3 + 7	610	B1
E630-311-15-P50	3 + 7	610	B1
E730-11-15-P50	3 + 7	610	C1
E730-311-15-P50	3 + 7	610	C1
E830-11-15-P50	3 + 7	610	D1
E830-311-15-P50	3 + 7	610	D1

Electropneumatically actuated valve, monostable - size 19

5/2 way



The single base is ordered separately from the valve. In case of separate pilot supply, the pilot pressure should never be lower than the operating pressure.



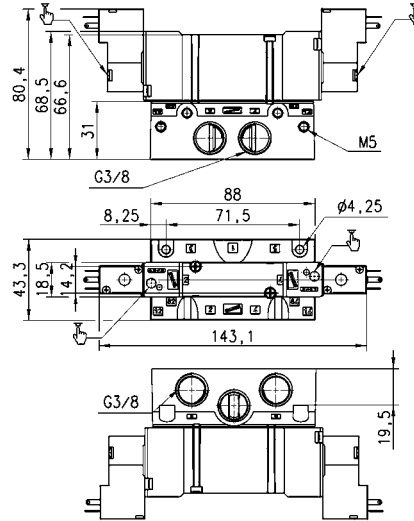
Mod.	working P. bar	Flow rate NI/min
E550-16-15-P50	2 + 7	1000
E550-316-15-P50	2 + 7	1000

Electropneumatically actuated valve, bistable - size 19

5/2 way



The single base is ordered separately from the valve.



Mod.	working P. bar	Flow rate NI/min
E550-11-15-P50	1 ÷ 7	1000
E550-311-15-P50	1 ÷ 7	1000

Electropneumatically actuated valve - size 19

5/3 way

- C.C. = Centres Closed
- C.O. = Centres Open
- C.P. = Centres in Pressure

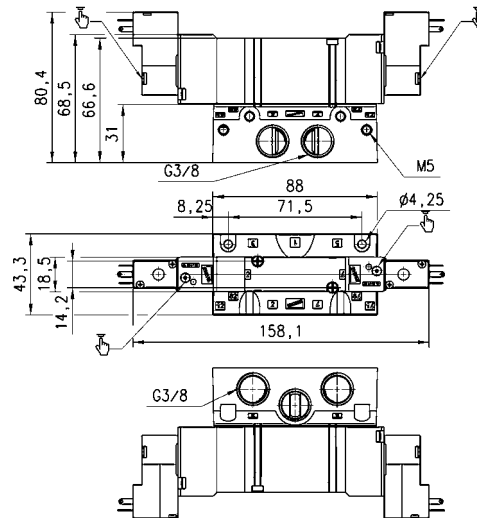


The single base is ordered separately from the valve.

B1

C1

D1



Mod.	working P. bar	Flow rate NI/min	Symbol
E650-11-15-P50	2 ÷ 7	1000	B1
E650-311-15-P50	2 ÷ 7	1000	B1
E750-11-15-P50	2 ÷ 7	1000	C1
E750-311-15-P50	2 ÷ 7	1000	C1
E850-11-15-P50	2 ÷ 7	1000	D1
E850-311-15-P50	2 ÷ 7	1000	D1

## Torque for securing screws on manifolds and single sub-base

Mod.	Size (mm)	Torque (Nm)
E52...	10,5	0,3 ± 0,35
E53...	16	0,7 ± 0,8
E55...	19	0,7 ± 0,8

## CODING EXAMPLE

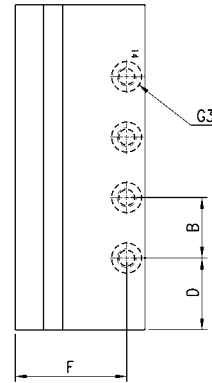
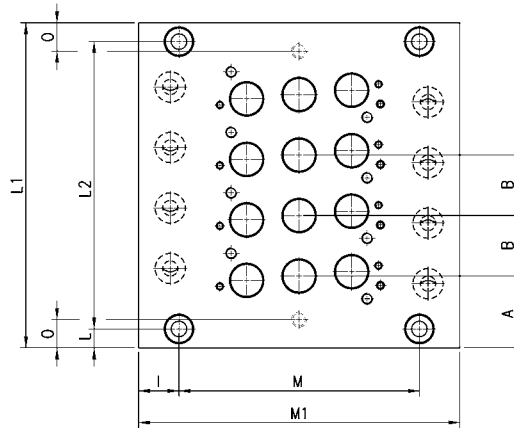
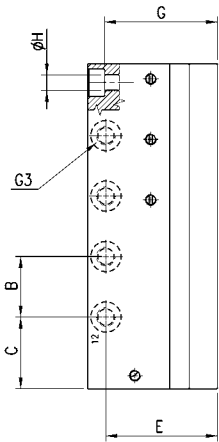
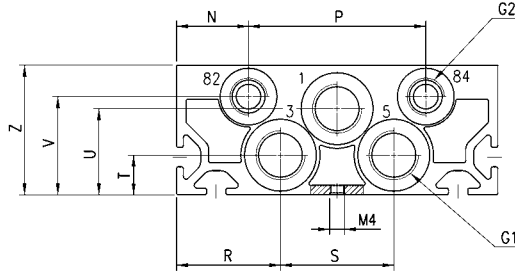
E5	3	1	-	1	0	02
----	---	---	---	---	---	----

<b>E5</b>	SERIES
<b>3</b>	SIZE: 2 = size 10,5 3 = size 16 5 = size 19
<b>1</b>	BODY TYPE: 0 = body for sub-base assembly 1 = body with threads or tube port
<b>1</b>	TYPE OF SUB-BASE: 0 = single sub-base with side outlets 1 = manifold for threaded valve 2 = manifold for body mounted valve 3 = manifold for threaded valve with externally supplied pilots 4 = manifold for valve on sub-base with externally supplied pilots
<b>0</b>	PORTS: 0 = for valves with outlets on the body 1 = threaded C = tube 4 (size 10,5) E = tube 6 (size 16) G = tube 8 (size 16) K = tube 10 (size 19)
<b>02</b>	N° OF POSITIONS: 01 = single 03, 04, 06, 08, 10, 12 = multiple

NOTE: When constructing manifolds with 10 or more stations, it is recommended, in order to reduce the risk of pressure drop within the assembly, that pressure is supplied to port 1 at each end of the block. The exhaust ports 3 and 5 at each end should also be utilized (size 10,5 and 16 mm). The same provision should be made for 5 station manifolds of the 19 mm valves. Manifolds complete with ports for external pilot supply are available on request.

Manifolds for valves with outlets on the body Size 10,5 - 16 - 19

The manifolds have been manufactured with common inlet and exhausts 3 and 5 (see size G1). There are also common exhausts for pilots 82 and 84 (Size G2). Manifolds with G3 ports are also supplied (on request) for external pilot supply.



Note: the manifolds are supplied complete with the seals and the valves, fixing screws.

DIMENSIONS

Mod.	Size	N° Position	02	03	04	05	06	07	08	09	10	11	12
E521-10..	10,5	L1	40,5	51	61,5	72	82,5	93	103,5	114	124,5	135	145,5
E521-10..	10,5	L2	44	41	51,5	62	72,5	83	93,5	104	114,5	125	135,5
E531-10..	16	L1	61,5	70	86	102	118	134	150	166	182	198	214
E531-10..	16	L2	30,5	60	76	92	108	124	140	156	172	188	204
E551-10..	19	L1	54	80,5	99,5	118,5	137,5	156,5	175,5	194,5	213,5	232,5	251,5
E551-10..	19	L2	49,5	68,5	87,5	106,5	125,5	144,5	163,5	182,5	201,5	220,5	239,5

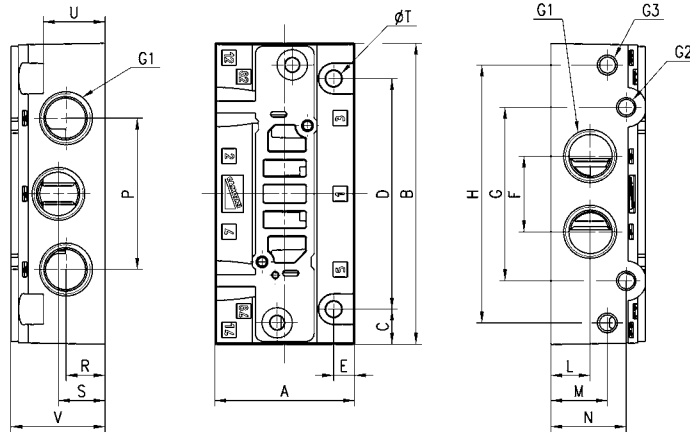
DIMENSIONS

Mod.	Size	G1	G2	G3	A	B	C	D	E	F	G	H	I	L	M	M1	N	O	P	R	S	T	U	V	Z
E521-10	10,5	G1/8	M5	M5	15	10,5	13,4	16,5	22	22	22,5	4,2	10,5	5	47,3	68,3	18,6	7,5	31	22,6	23	8,5	19	20	27
E531-10	16	G1/4	G1/8	M5	19	16	19	19	29,4	29,4	29,8	4,2	10,7	5	63,6	85	19	7,5	46,9	27,5	30	10,5	22,8	26	34,3
E551-10	19	G3/8	G1/8	M5	21,2	19	19,2	23,2	34,4	34,4	34,5	4,2	10,5	6	69	90	19	7,5	52	26	38	12	26	30,5	39

Single sub-base for base mounted valves - size 10,5 - 16 - 19



Note: The valve and its single sub-base are available on request.



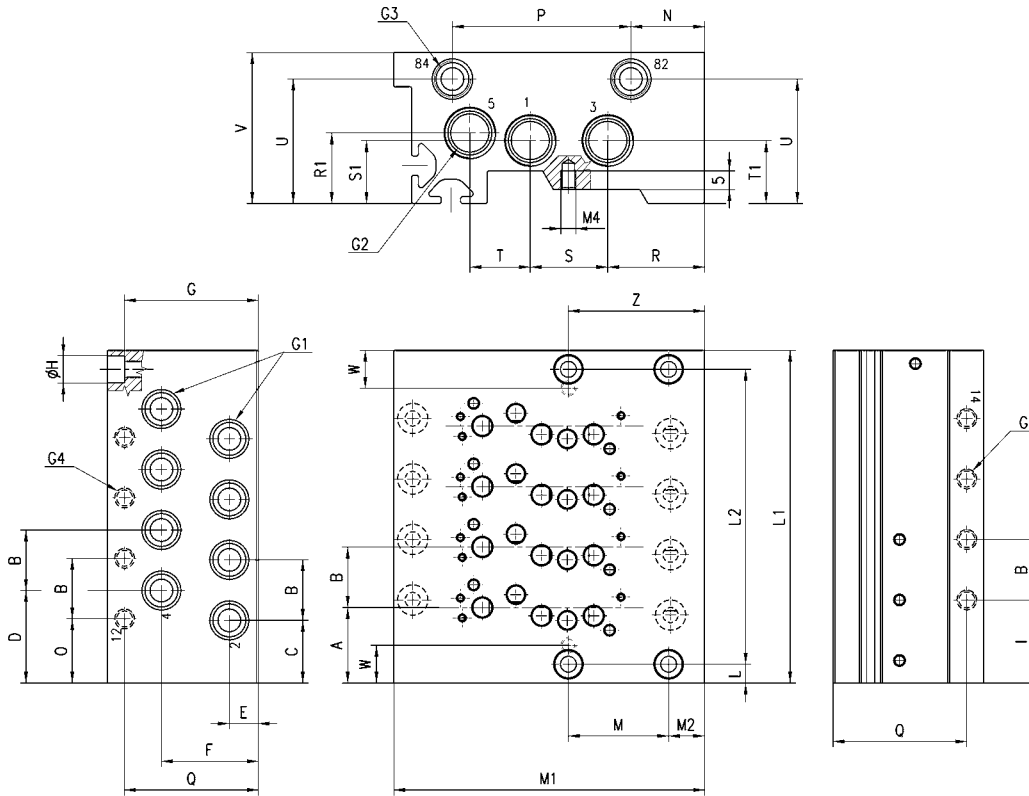
DIMENSIONS

Mod.	Size	G1	G2	G3	A	B	C	D	E	F	G	H	L	M	N	P	R	S	T	U	V
<b>E520-0101</b>	10,5	G1/8	M5	M5	26	66	8	50	4	15	37,3	57,3	8,2	17	18	24,5	8,2	17,2	32	17,5	25,5
<b>E530-0101</b>	16	G1/4	M5	M5	37	79,6	9,3	61	55	20	45,9	68,2	10,5	15	20	40	10,5	10,5	42	16,4	25
<b>E550-0101</b>	19	G3/8	M5	M5	43,3	88	8,2	71,5	55	24	48,6	76,5	11,5	17,5	24,8	45	11,5	20	42	19,5	31



Manifolds for base mounted valves size 10,5 - 16

The manifolds have been manufactured with common inlet 1 and exhaust 3 and 5 (see size G2). There are also common exhausts for pilots 82 and 84 (size G3). Manifolds with G4 ports are also supplied for external pilot supply, on request.



DIMENSIONS

Mod.	Size	N° Position	02	03	04	05	06	07	08	09	10	11	12
E520-21..	10,5	L1	44	54,5	65	75,5	86	96,5	107	117,5	128	138,5	149
E520-21..	10,5	L2	34	44,5	55	65,5	76	86,5	97	107,5	118	128,5	139
E520-2C..	10,5	L1	44	54,5	65	75,5	86	96,5	107	117,5	128	138,5	149
E520-2C..	10,5	L2	34	44,5	55	65,5	76	86,5	97	107,5	118	128,5	139
E530-21..	16	L1	56	72	88	104	120	136	152	168	184	200	216
E530-21..	16	L2	46	62	78	94	110	126	142	158	174	190	206
E530-2E..	16	L1	56	72	88	104	120	136	152	168	184	200	216
E530-2E..	16	L2	46	62	78	94	110	126	142	158	174	190	206
E530-2G..	16	L1	56	72	88	104	120	136	152	168	184	200	216
E530-2G..	16	L2	46	62	78	94	110	126	142	158	174	190	206

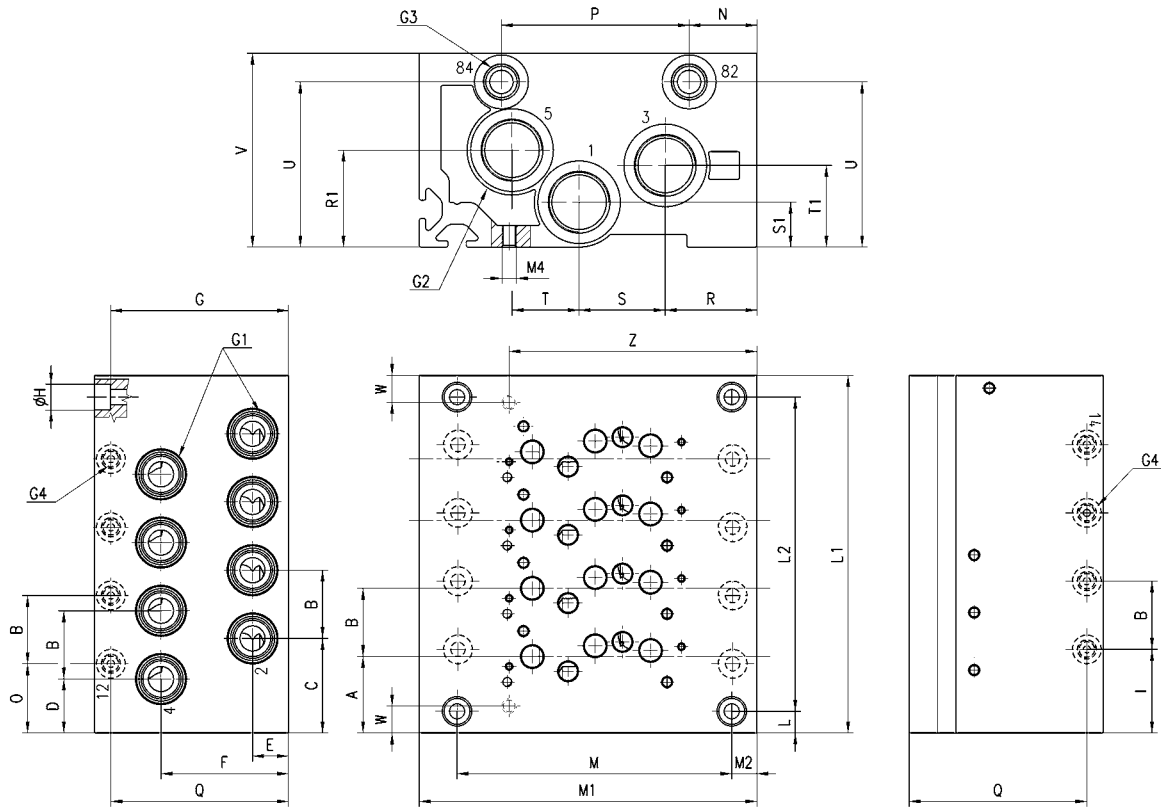
DIMENSIONS

Mod.	Size	G1	G2	G3	G4	A	B	C	D	E	F	G	H	I	L	M	M1	M2	N	O	P	Q	R	R1	S	S1	T	T1	U	V	W	Z
E520-21	10,5	M5	G1/8	M5	M5	16,7	10,5	18,8	13,6	6,1	19,6	29,5	42	18,3	5	-	67,3	11,3	18,3	15,2	30,7	29,5	22,6	14,5	9	27	11	12,7	25,5	34	7,5	34,5
E520-2C	10,5	4/2	G1/8	M5	M5	16,7	10,5	18,8	13,6	6,1	19,6	29,5	42	18,3	5	-	67,3	11,3	18,3	15,2	30,7	29,2	22,6	14,5	9	27	11	12,7	25,5	34	7,5	34,5
E530-21	16	G1/8	G1/4	G1/8	M5	20	16	16,6	24,5	7,6	25,6	35,4	42	22	5	26,5	82,2	9,5	19,5	17	47,2	35,4	25,6	18,6	16	16,6	20,5	16,6	32,9	39,9	10	36
E530-2E	16	6/4	G1/4	G1/8	M5	20	16	16,6	24,5	7,6	25,6	35,4	42	22	5	26,5	82,2	9,5	19,5	17	47,2	35,4	25,6	18,6	16	16,6	20,5	16,6	32,9	39,9	10	36
E530-2G	16	8/6	G1/4	G1/8	M5	20	16	16,6	24,5	7,6	25,6	35,4	42	22	5	26,5	82,2	9,5	19,5	17	47,2	35,4	25,6	18,6	16	16,6	20,5	16,6	32,9	39,9	10	36

Manifolds for base mounted valves - size 19



The manifolds have been manufactured with common inlet 1 and exhaust 3 and 5 (see size G2). There are also common exhausts for pilots 82 and 84 (size G3). Manifolds with G4 ports are also supplied for external pilot supply, on request.



DIMENSIONS

Mod.	Size	N° Position	02	03	04	05	06	07	08	09	10	11	12
E550-21..	19	L1	61,5	80,5	99,5	118,5	137,5	156,5	175,5	194,5	213,5	232,5	251,5
E550-21..	19	L2	49,5	68,5	87,5	106,5	125,5	144,5	163,5	182,5	201,5	220,5	239,5
E550-2K..	19	L1	61,5	80,5	99,5	118,5	137,5	156,5	175,5	194,5	213,5	232,5	251,5
E550-2K..	19	L2	49,5	68,5	87,5	106,5	125,5	144,5	163,5	182,5	201,5	220,5	239,5

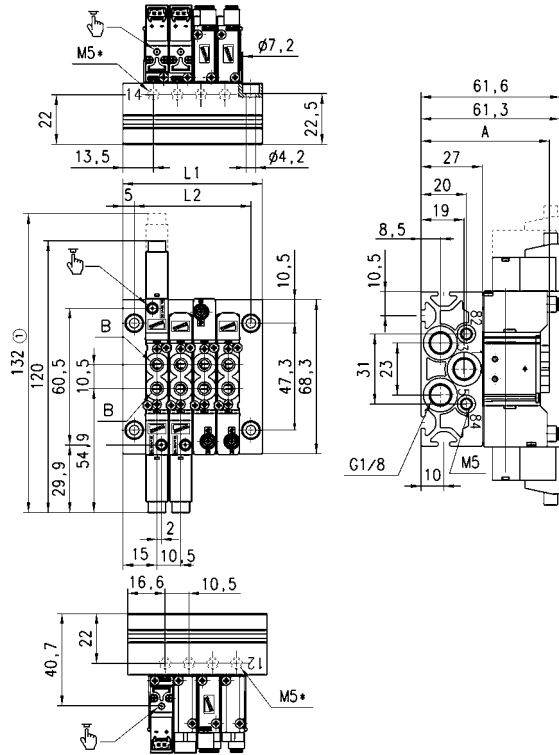
DIMENSIONS

Mod.	Size	G1	G2	G3	G4	A	B	C	D	E	F	G	H	I	L	M	M1	M2	N	O	P	Q	R	R1	S	S1	T	T1	U	V	W	Z
E550-21	19	G1/4	G3/8	G1/8	M5	21,2	19	26,3	15	10	35,5	49,5	42	23,2	6	76,5	94	7	18,8	19,2	52,3	49,4	25,5	27	24	12,5	18,7	22,7	46	54	7,5	69
E550-2K	19	10/8	G3/8	G1/8	M5	21,2	19	26,3	15	10	35,5	49,5	42	23,2	6	76,5	94	7	18,8	19,2	52,3	49,4	25,5	27	24	12,5	18,7	22,7	46	54	7,5	69

The company reserves the right to vary models and dimensions without notice. Products designed for industrial applications. Sale to general public is forbidden.

Dim. of manifolds - valves with outlets on the body - size 10.5

5/2 and 5/3, ports M5



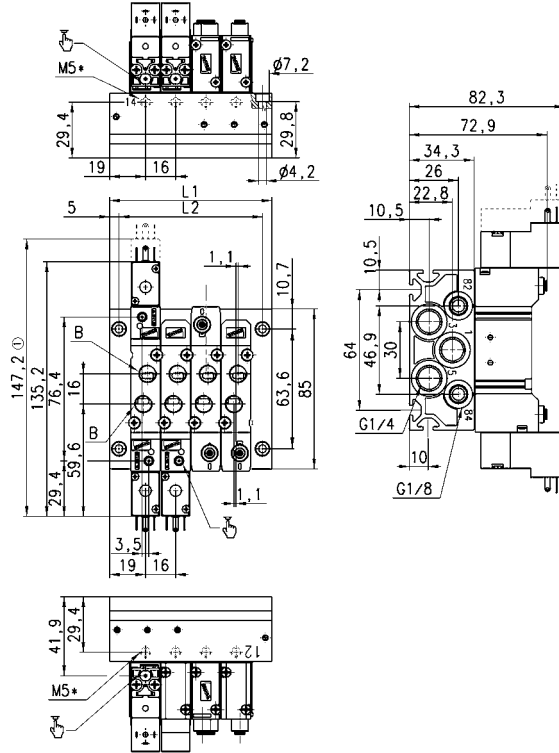
DIMENSIONS

Mod.	A	B	L1 - L2 N° 1 Position	L1 - L2 N° 2 Positions	Fixed quote for position
E521	56,6	M5	40,5 - 30,5	51 - 41	10,5
E52C	65,1	4/2	40,5 - 30,5	51 - 41	10,5

① Size referred to 5/3 valve M5\*  
Separate pilot supply on request.

Dim. of manifolds - valves with outlets on the body - size 16

5/2 and 5/3, ports G1/8



DIMENSIONS

Mod.	B	L1 - L2 N° 1 Position	L1 - L2 N° 2 Positions	Fixed quote for position
E531	G1/8	54 - 44	70 - 60	16
E53E	6/4	54 - 44	70 - 60	16
E53G	8/6	54 - 44	70 - 60	16

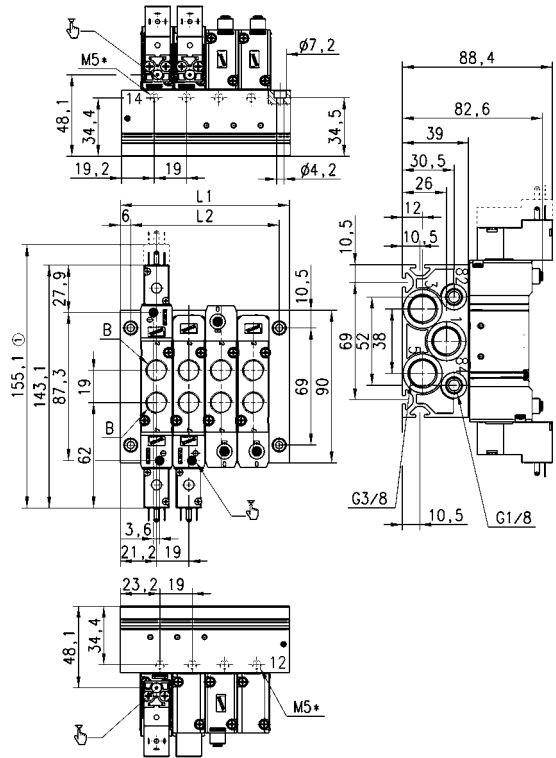
① Size referred to 5/3 valve M5\*  
Separate pilot supply on request.

CONTROL

2

Dim. of manifolds - valves with outlets on the body - size 19

5/2 and 5/3, ports G1/4

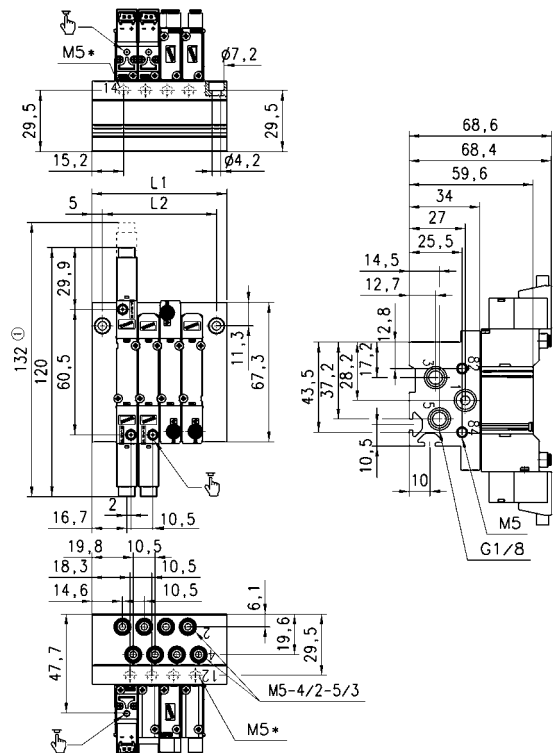


DIMENSIONS					
Mod.	A	B	L1 - L2 N° 1 Position	L1 - L2 N° 2 Positions	Fixed quote for position
E551	84,6	G1/4	61,5 - 49,5	80,5 - 68,5	19
E53K	92,6	10/8	61,5 - 49,5	80,5 - 68,5	19

① Size referred to 5/3 valve  
M5\* Separate pilot supply on request.

Dim. of manifolds - valves with outlets on the body - size 10.5

5/2 and 5/3

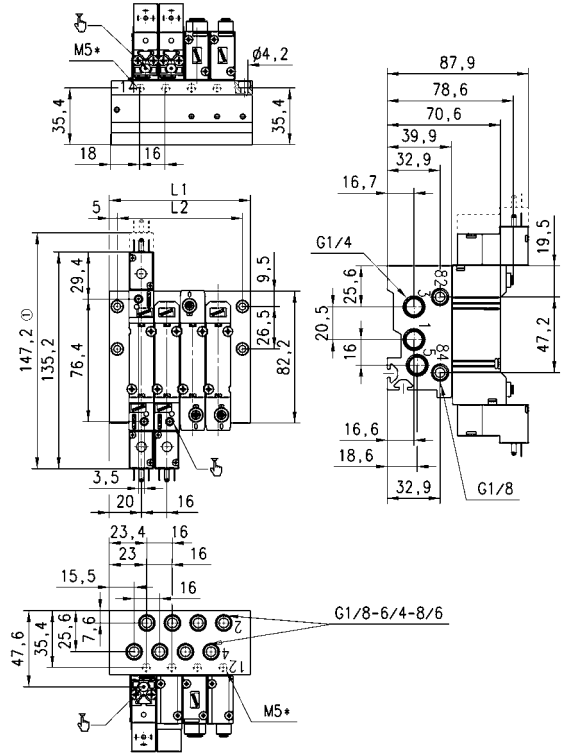


DIMENSIONS												
N° Position	2	3	4	5	6	7	8	9	10	11	12	
L1	44	54,5	65	75,5	86	96,5	107	117,5	128	138,5	149	
L2	34	44,5	55	65,5	76	86,5	97	107,5	118	128,5	139	

① Size referred to 5/3 valve  
M5\* Separate pilot supply on request.

Dim. of manifolds - valves with outlets on the body - size 16

5/2 and 5/3.



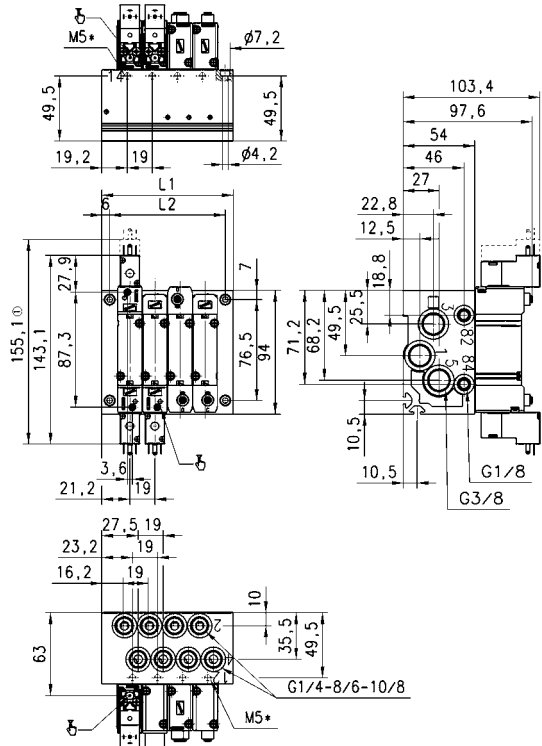
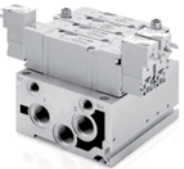
① Size referred to 5/3 valve  
M5\* Separate pilot supply on request.

DIMENSIONS

N° Position	2	3	4	5	6	7	8	9	10	11	12
L1	56	72	88	104	120	136	152	168	184	200	216
L2	46	62	78	94	110	126	142	158	174	190	206

Dim. of manifolds - valves with outlets on the body - size 19

5/2 and 5/3.



① Size referred to 5/3 valve  
M5\* Separate pilot supply on request.

DIMENSIONS

N° Position	2	3	4	5	6	7	8	9	10	11	12
L1	61,4	80,4	99,4	118,4	137,4	156,4	175,4	194,4	213,4	232,4	251,4
L2	49,4	68,4	87,4	106,4	125,4	144,4	163,4	182,4	201,4	220,4	239,4

## CODING EXAMPLE

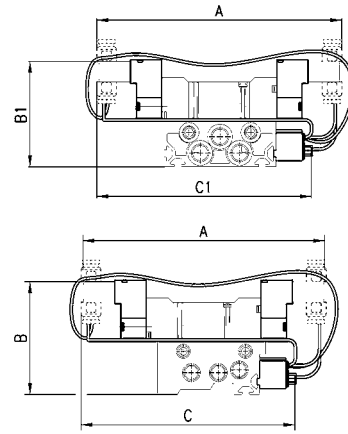
<b>G1</b>	<b>P</b>	<b>A</b>	<b>-</b>	<b>E</b>	<b>-</b>	<b>B</b>	<b>02</b>	<b>-</b>	<b>M</b>	<b>04</b>
-----------	----------	----------	----------	----------	----------	----------	-----------	----------	----------	-----------

<b>G1</b>	G1 = power supply unit 15 poles IP 20 (maximum 12 connections) G2 = power supply unit 25 poles IP 20 (maximum 22 connections) G3 = power supply unit 15 poles IP 54 (maximum 12 connections) G4 = power supply unit 25 poles IP 54 (maximum 22 connections)
<b>P</b>	DIMENSIONS OF SOLENOID CONNECTORS: P = 15x15 (distance between electrical pins 9.4 mm) W = 15x15 (distance between electrical pins 8 mm)
<b>A</b>	CHARACTERISTICS OF SOLENOID CONNECTORS: A = standard connector B = direct current + protection (negative ground) C = direct current + protection + LED (negative ground 10/50V) M = alternative current + protection
<b>E</b>	MANIFOLD SIZE: E = series E sizes 16, 19
<b>B</b>	B = bistable solenoid valves
<b>02</b>	NUMBER OF BISTABLE SOLENOID VALVES
<b>M</b>	M = monostable solenoid valves
<b>04</b>	NUMBER OF MONOSTABLE SOLENOID VALVES

2

**Power supply unit for solenoid valves assembled on manifolds**

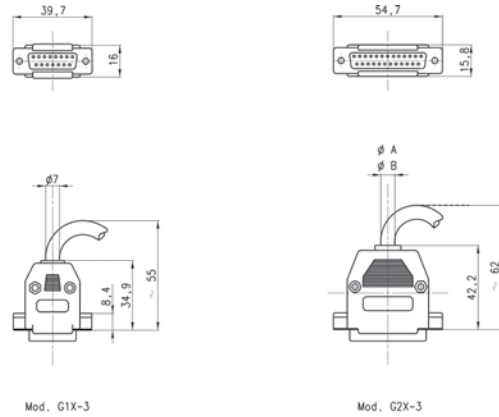
The power supply unit is made up of a 15 and 25 pin connector (DIN 41652) as well as of modules to which the coil lead wires can be connected. The maximum number of coils that can be connected to the power supply unit is 12 and 22. It is recommended to use the power supply unit in environments according protection class "IP".



DIMENSIONS					
Size	A	B	B1	C	C1
<b>16</b>	183,6	88,5	83	162,5	163
<b>19</b>	191,5	104	89	172,5	169,5

The power supply unit can be assembled only on manifolds for solenoids valves size 16 and 19.

**15 and 25 poles female connector**



DIMENSIONS	
Mod.	
<b>G1X-3</b>	Connector SUB-D 15 Poles IP20 cable 3 m
<b>G2X-3</b>	Connector SUB-D 25 Poles IP20 cable 3 m

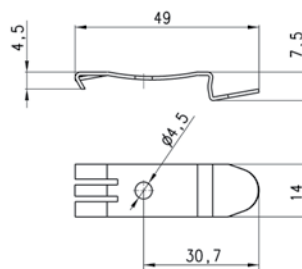
Communication cable with pins of the connector is in the documentation attached to the

packaging of the product.

Mounting brackets



DIN EN 50022 (mm 7,5 x 35 - width 1)  
 Suitable for all manifolds.  
 The following is supplied:  
 2x plates  
 2x screws

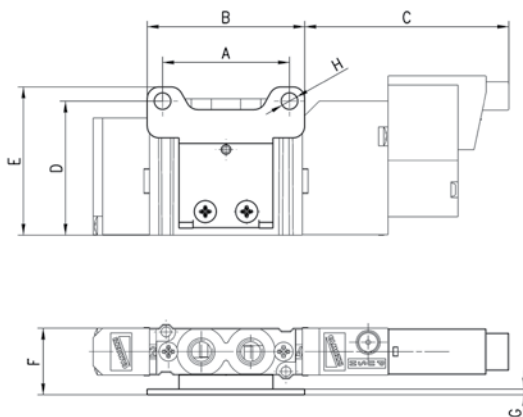


Mod.  
**PCF-E520**

Horizontal mounting foot bracket for valves with outlets on the body



The following is supplied:  
 1x foot bracket  
 2x screws.

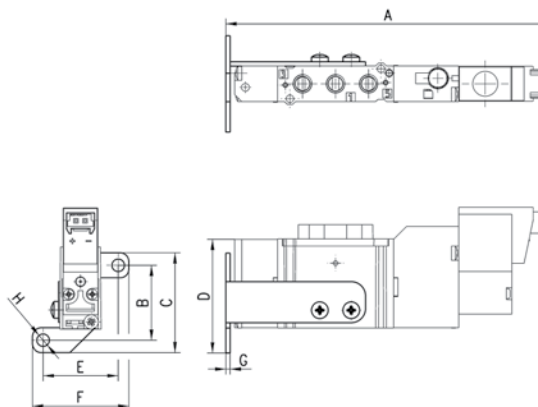


DIMENSIONS									
Mod.	Size	A	B	C	D	E	F	G	H
<b>B1-E521</b>	10,5	27	33,5	43,4	28,5	31,5	14,2	1,2	3,5
<b>B1-E531</b>	16	47	58	38,6	41,3	45,3	20,6	1,2	4,5
<b>B1-E531</b>	19	47	58	42,6	40	44	23,6	1,2	4,5

Vertical mounting foot bracket for valves with outlets on the body



The following is supplied:  
 1x foot bracket  
 2x screws  
 Monostable valves only.

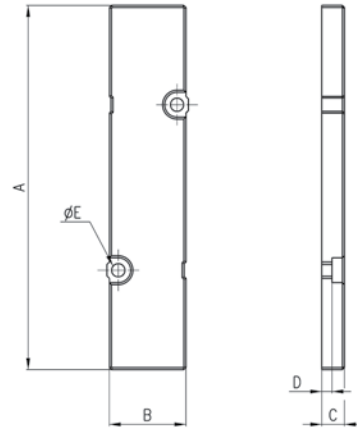


DIMENSIONS									
Mod.	Size	A	B	C	D	E	F	G	H
<b>B2-E521</b>	10,5	90,8	21	28	31,9	21	27	1,2	3,5
<b>B2-E531</b>	16	107,4	25,5	33,5	36,4	27,5	35	1,2	4,5
<b>B2-E531</b>	19	114,6	25,5	33,5	42,8	27,5	35	1,2	4,5



Blanking plate for manifolds - base mounted valves

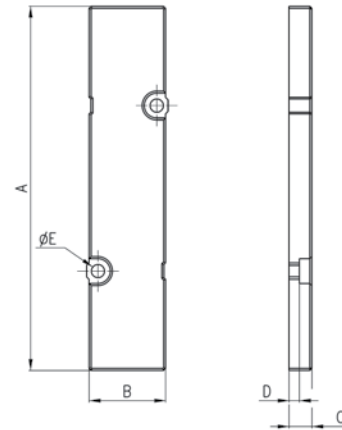
The following is supplied:  
 1x blanking plate  
 2x screws  
 1x seal.



DIMENSIONS						
Mod.	Size	A	B	C	D	øE
TP-E521	10,5	66	10	6	3,5	2,1
TP-E531	16	48,2	15,5	6	3,5	3,2
TP-E551	19	55,7	18,5	6	3	3,2

Blanking plate for manifolds - base mounted valves

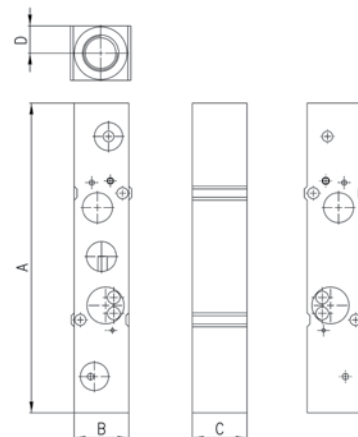
The following is supplied:  
 1x blanking plate  
 2x screws  
 1x seal.



DIMENSIONS						
Mod.	Size	A	B	C	D	øE
TP-E520	10,5	66	10	6	3,5	2,1
TP-E530	16	48,2	15,5	6	3,5	3,2
TP-E550	19	55,7	18,5	6	3	3,2

Intermediate plate for valves to provide a separate supply in 1

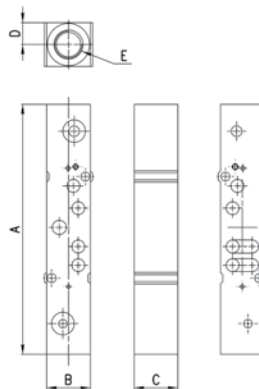
Base mounted valves.  
 The following is supplied:  
 1x plate  
 2x screws  
 1x interface seal  
 2x O-Ring.



DIMENSIONS						
Mod.	Size	A	B	C	D	E
PCP-E521	10,5	72,5	10	10	5	M5
PCP-E531	16	88,6	15,5	18	7,7	G1/8
PCP-E551	19	100	18,5	20	10	G1/4

Intermediate plate for valves to provide a separate supply in 1

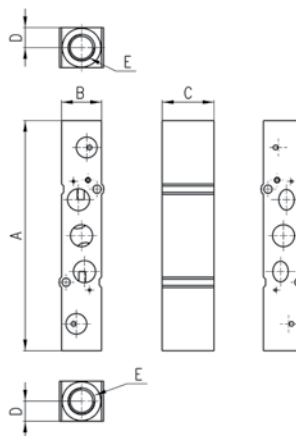
Base mounted valves.  
The following is supplied:  
1x plate  
2x screws  
1x interface seal  
2x OR.



DIMENSIONS						
Mod.	Size	A	B	C	D	E
PCP-E520	10,5	72,5	10	10	5	M5
PCP-E530	16	88,6	15,5	18	7,7	G1/8
PCP-E550	19	100	18,5	20	10	G1/4

Intermediate plate for valves to provide separate supply in 3 and 5

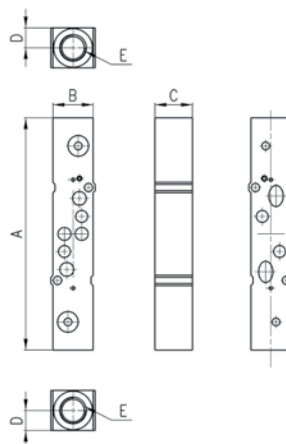
Kits for valves with outlets on the body  
Mod. E2\*1-\*\*.  
The following is supplied:  
1x plate  
2x screws  
1x interface seal  
2x OR.



DIMENSIONS						
Mod.	Size	A	B	C	D	E
PCS-E521	10,5	76	10	10	5	M5
PCS-E531	16	90	15,5	18	7,7	G1/8
PCS-E551	19	105	18,5	20	10	G1/4

Intermediate plate for valves to provide separate supply in 3 and 5

Kits for valves mounted on sub-base  
Mod. E2\*0-\*\*.  
The following is supplied:  
1x plate  
2x screws  
1x interface seal  
2x OR.



DIMENSIONS						
Mod.	Size	A	B	C	D	E
PCS-E520	10,5	76	10	10	5	M5
PCS-E530	16	90	15,5	18	7,7	G1/8
PCS-E550	19	105	18,5	20	10	G1/4