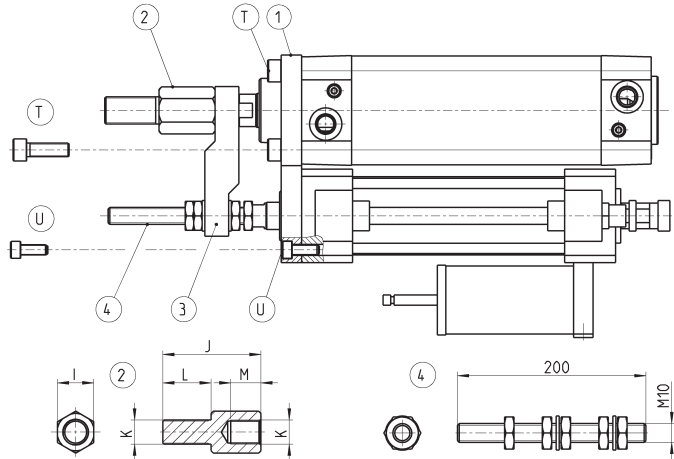
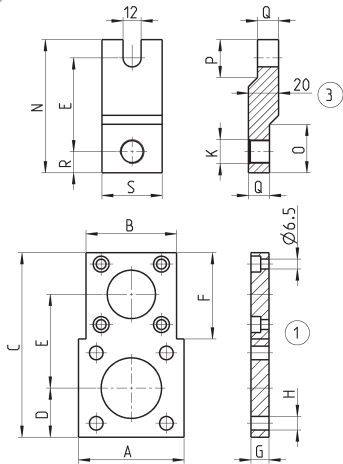


Connecting kit Mod. 43N-40

Hydrocheck connecting kit to suit cylinders Ø 40 - 50 - 63 - 80 mm
Material: phosphated steel



DIMENSIONS

Mod.	A	B	C	D	E	F	G	H	I	J	K	L	M	N	O	P	Q	R	S	T (x4)	U (x4)
43N-40-40	60	-	110	26.5	56	-	12	7	19	47	M12X1.25	24	14	80	25	25	14	12	40	M6x25	M6x16
43N-40-50	70	60	122	32.5	62	57	12	9	24	65	M16X1.5	32	20	88	32	25	14	14	40	M8x25	M6x16
43N-40-63	80	60	132	37.5	67	57	20	9	24	65	M16X1.5	32	20	93	32	25	14	14	40	M8x35	M6x25
43N-40-80	100	60	152	47.5	77	57	20	11	30	78	M20X1.5	40	25	107	-	-	-	18	50	M10x35	M6x25

Hydrocheck refilling pump Mod. 43N-PMP

Pump for refilling hydrocheck speed regulator



Mod.
43N-PMP