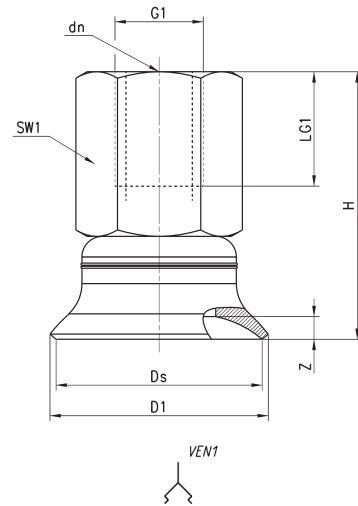


**Suction pad VTFC-0050 to 0500 - female thread**



\* = N for suction pad in NBR - S for suction pad in Silicone (add the required letter when placing an order)



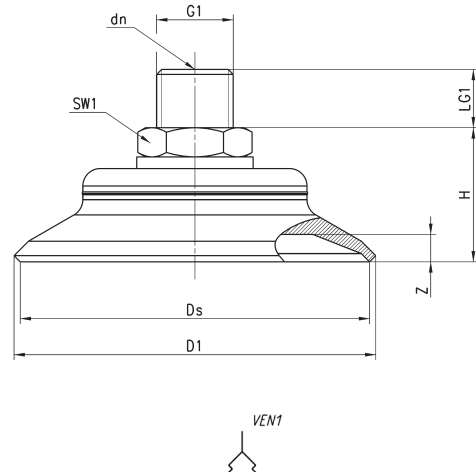
DIMENSIONS										
Suction pad with nipple	D1	dm	Ds	G1	H	LG1	SW1	Z	Suction pad	Nipple
VTFC-0100*-1/8F	10,7	2	10	G1/8 F	23,5	9	14	1,3	VTFC-0100*	NPV-F-1/8-F
VTFC-0150*-1/8F	15,8	2	15	G1/8 F	24	9	14	1,9	VTFC-0150*	NPV-G-1/8-F
VTFC-0200*-1/8F	21,2	2	20	G1/8 F	26	9	14	2,3	VTFC-0200*	NPV-H-1/8-F
VTFC-0250*-1/8F	25,8	2,4	25	G1/8 F	30	9	14	3	VTFC-0250*	NPV-L-1/8-F
VTFC-0300*-1/8F	29,6	2,4	28,8	G1/8 F	28	9	14	2	VTFC-0300*	NPV-L-1/8-F
VTFC-0350*-1/8F	35,6	2,4	35	G1/8 F	30	9	14	3	VTFC-0350*	NPV-L-1/8-F
VTFC-0400*-1/8F	41,6	2,4	40	G1/8 F	30	9	14	3,5	VTFC-0400*	NPV-L-1/8-F
VTFC-0500*-1/8F	51,1	2,4	50	G1/8 F	31	9	14	4	VTFC-0500*	NPV-M-1/8-F

Tolerances for elastomer parts according to M5 - DIN 7715

**Suction pad VTFC-0600 to 0950 - male thread**



\* = N for suction pad in NBR - S for suction pad in Silicone (add the required letter when placing an order)



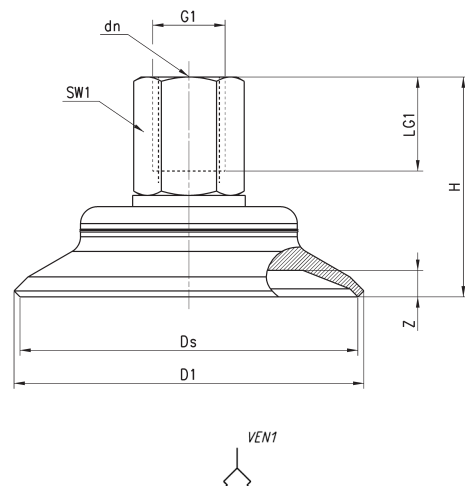
DIMENSIONS										
Suction pad with nipple	D1	dm	Ds	G1	H	LG1	SW1	Z	Suction pad	Nipple
VTFC-0600*-1/4M	62,1	5,5	60	G1/4 M	23	10	17	5	VTFC-0600*	NPV-N-1/4-M
VTFC-0800*-1/4M	82,8	5,5	80	G1/4 M	25	10	17	6	VTFC-0800*	NPV-N-1/4-M
VTFC-0950*-1/4M	97,8	5,5	95	G1/4 M	25,5	10	17	6	VTFC-0950*	NPV-N-1/4-M

Tolerances for elastomer parts according to M3 - DIN 7715

**Suction pad VTFC-0600 to 0950 - female thread**



\* = N for suction pad in NBR - S for suction pad in Silicone (add the required letter when placing an order)



DIMENSIONS										
Suction pad with nipple	D1	dm	Ds	G1	H	LG1	SW1	Z	Suction pad	Nipple
VTFC-0600* 1/4F	62,1	5,5	60	G1/4 F	39	11	17	5	VTFC 0600*	NPV-N-1/4-F
VTFC-0800* 1/4F	82,2	5,5	80	G1/4 F	41	11	17	6	VTFC 0800*	NPV-N-1/4-F
VTFC-0950* 1/4F	97,8	5,5	95	G1/4 F	41,5	11	17	5	VTFC 0950*	NPV-N-1/4-F

Tolerances for elastomer parts according to M5 - DIN 7715