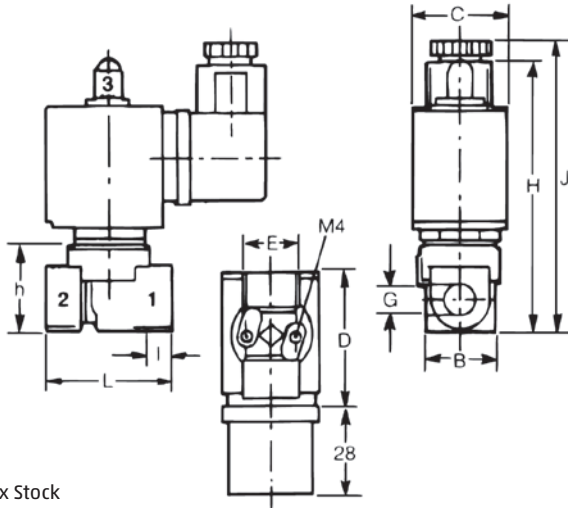


# Solenoid Valves - Direct Acting

Connections: 1/8, 1/4

Operation: Direct Acting 3/2 NC

PROCESS VALVES AND ACTUATION



- ✓ Ex Stock
- ✎ UK Assembly
- ☎ Please Call Sales Office

| Connection Size B | C  | D  | E  | h  | H  | I  | J | L  |
|-------------------|----|----|----|----|----|----|---|----|
| 1/8 - 1/4         | 28 | 31 | 42 | 16 | 28 | 88 | 7 | 92 |

**Technical Data**

**Type of Construction**

Direct - Acting  
Normally closed

**Line Media**

Non-aggressive liquids and gases, ie air, oil, water

**Operating Pressure**

See table

**Operating Temperature**

Ambient: -10°C to +55°C  
Fluid: -10°C to +140°C

**Threads**

BSPG GAS Parallel ISO 228/1

**Materials**

Body: Brass  
Other Parts: Stainless steel  
Seals: Viton

**Mounting**

M4 mounting holes in body

**Standard Voltages**

12VDC 24VDC  
24VAC 110VAC 230VAC (50Hz)

**Protection Rating**

IP65 with connector  
- see pages 134-137

**Power Consumption**

DC: 8W  
AC: Working 14 VA In rush 25 VA  
Supply: 2 Output: 1 Exhaust: 3

**Options**

Different voltages  
Bi-stable coils  
Normally open version

**Special Requests**

For assistance, contact our technical office or your local Camozzi distributor.

**3/2 Direct - Acting Solenoid Valves**

|          |   | Size | Orifice   | Pressure Range (bar) |    |
|----------|---|------|-----------|----------------------|----|
|          |   |      | Ø mm      | AC                   | DC |
| 31A3AV20 | ✓ | 1/8  | 2.0 (2.5) | 10                   | 10 |
| 31A3AV25 | ✓ | 1/8  | 2.5 (2.5) | 6                    | 6  |
| 31A2AV20 | ✓ | 1/4  | 2.0 (2.5) | 10                   | 10 |
| 31A2AV25 | ✓ | 1/4  | 2.5 (2.5) | 6                    | 6  |
| 31A2AV30 | ✓ | 1/4  | 3.0 (2.5) | 5                    | 5  |

Please specify coil voltage required when ordering.  
Price excludes coil - please order separately (see below).

**8 Watt Coils**

|            |   | Voltage |
|------------|---|---------|
| BDA08012CS | ✓ | 12V DC  |
| BDA08024CS | ✓ | 24V DC  |
| BDA08024DS | ✓ | 24V AC  |
| BDA08110DS | ✓ | 110V AC |
| BDA08223DS | ✓ | 230V AC |



**For Moulded Connectors**

See pages 136-137