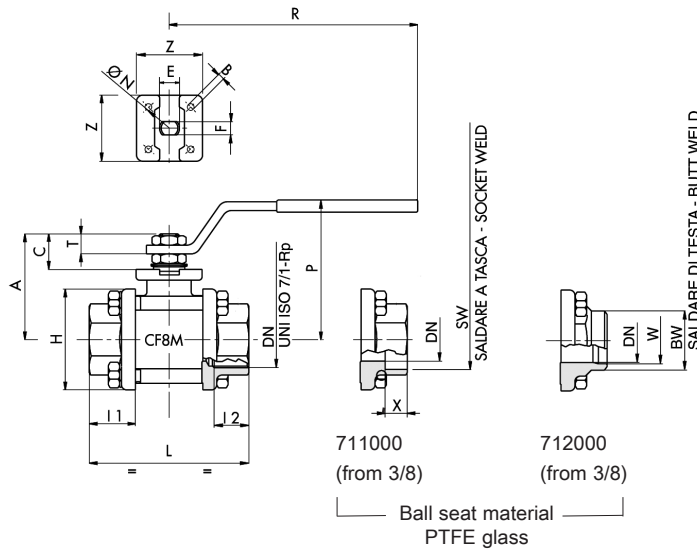
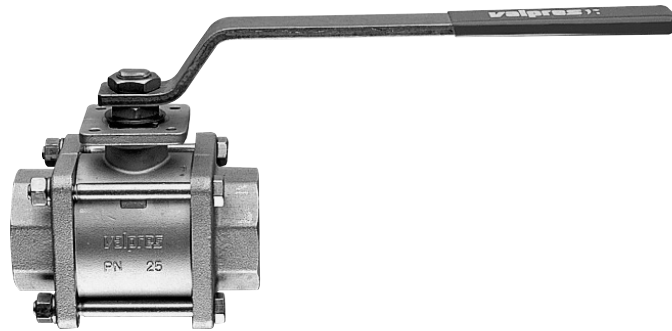


# Stainless Steel Ball Valves Three-Piece Design

Connections: 1/4, 3/8, 1/2, 3/4, 1, 1 1/4, 1 1/2, 2, 2 1/2, 3, 4

Full bore Valves for quarter turn on-off control of most non-corrosive and some corrosive liquids and gases compatible with the technical data below. Socket weld and butt weld types available.

Part Number: 710000\* - Female/Female  
 711000\* - Socket Weld  
 712000\* - Butt Weld



- ✓ Ex Stock
- ✚ UK Assembly
- ⓞ Please Call Sales Office

### Technical Data

**Media**  
 Any application with media suitable to material of construction

**Operating Pressure**  
 Nominal working pressure (PN) in BAR - See chart  
 Vacuum: Maximum 10<sup>-3</sup> torr.

**Operating Temperature**  
 -20°C to +160°C

**Flow Rates**  
 Flow rates stated in Kv: Flow coefficient in m<sup>3</sup>/h at differential pressure of 100kPa

**Threads/Connections**  
 710000 - Female/Female ISO 7/1  
 711000 - Socket Weld  
 712000 - Butt Weld

**Material**  
 Body, Spindle: CF8M Stainless Steel  
 Ball: AISI316-CF8M Stainless Steel  
 Seals: PTFE (Weld end valves 15% glass reinforced)  
 90° Cam, Lever: Stainless Steel AISI430  
 Stem O Ring: Viton  
 Other metal Parts: Stainless Steel AISI303, 305

**Actuation**  
 90° rotation of lever  
 We recommend that the valve is used in either the fully open or fully closed position. In addition, the valve should be actuated at least twice a year

**Additional Options**  
 710001 - Female/Female NPT  
 Glass filled seats, carbon filled seats

**Special Requests**  
 For assistance, contact our technical office

Dimensions (mm)		Size	DN	SW	BW	W	X	I1	I2	L	H	R	P	A	C	T	E	F	N	B	Z	Kv	PN
*02	✓	1/4	8	-	-	-	-	18	11	57	33	110.5	50	35	13.5	9	8	5	-	-	-	5.4	64
*03	✓	3/8	10	18.2	17.1	12.48	9.5	18	11.4	57	33	110.5	50	35	13.5	9	8	5	-	-	-	6	64
*04	✓	1/2	15	22.4	21.3	15.76	9.5	20.5	15	65	38	131.5	64	47	15	10	10	7	36	6	36	16.3	64
*05	✓	3/4	20	27.7	26.7	20.96	11.1	22.5	16.3	76	46.5	131.5	68	51.5	15	10	10	7	42	5.5	42	29.5	40
*06	✓	1	25	34.5	33.4	26.64	12.7	27	19.1	92	58	174.5	78.5	60	19.5	12.5	12	8	42	6	42	43	40
*07	✓	1 1/4	32	43.2	42.2	35.08	14.3	30	21.4	106.5	66.5	174.5	83.5	64.5	19.5	12.5	12	8	42	5.5	42	89	25
*08	✓	1 1/2	40	49.5	48.3	40.94	15.9	31	21.4	116	76	250.5	100	79	24	16.5	16	10	50	6.5	50	230	25
*10	✓	2	50	62	60.3	52.48	17.5	36	25.7	136	90	250.5	107	86	24	16.5	16	10	50	6.5	50	265	25
*12	✓	2 1/2	65	76.5	73	62.68	20	38.5	30.2	153.5	134	321.5	126.5	103	28	18	20	14	70	M8	64	540	16
*14	✓	3	80	89.5	88.9	77.92	20	43	33.3	180	161	321.5	137.5	114	28	18	20	14	70	M8	64	873	16
*18	✓	4	100	115	114.3	102.26	20	50	39.3	217	190	381.5	156.5	137	34.5	22	24	18	102	M10	92	1390	16

1/4" available F/F only

See full catalogue or books.camozzi.com for all dimensions.  
 For technical advice contact our sales office or your local Camozzi distributor.