

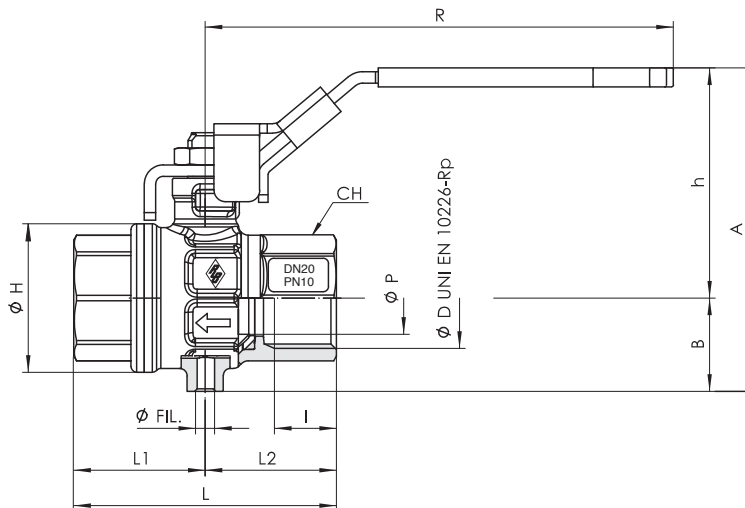
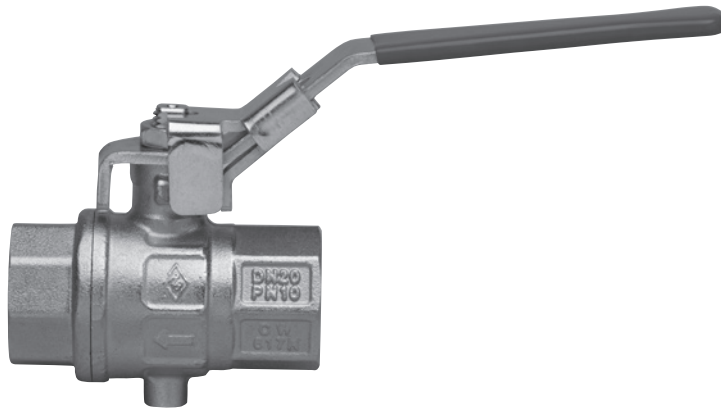
Brass Ball Valves - Exhausting - with Locking Handle

Connections: 1/4, 3/8, 1/2, 3/4, 1

For use as an on-off valve for pneumatic systems.

In the off position, downstream air is exhausted to atmosphere through a small vent hole in the valve body. In this way the danger of pressurised air remaining in the system after shut-off can be eliminated.

Part Number: 5110*



Technical Data

Media

Compressed Air

Operating Pressure

10 bar

Operating Temperature

-10°C to +100°C

Flow Rates

Flow rates stated in Kv: Flow coefficient in m³/h at differential pressure of 100kPa

Threads

UNI ISO 7/1

Materials

Body: Brass, nickel plated

Ball: Brass, hard chrome

Seals: PTFE

Handle: Steel zinc plated, red plastic coated

Direction flow: As indicated by arrow

Connections: 1/4 to 1 UNI ISO 7/1

Flow coefficient m³/h - see Kv column of dimensions

Actuation Details

As per 1700 valve

Additional Options

Lockable handle

Special Requests

For assistance, contact our technical office or your local Camozzi distributor.

- ✓ Ex Stock
- ✂ UK Assembly
- ☎ Please Call Sales Office

Dimensions (mm) and Pressures

	DN	ØP	A	B	h	ØH	I	L	L1	L2	R	Ch	ØFil	Kv	PN	Kg
*1/4 ✓	8	10	61.5	15.5	46	23	11	51.5	27.5	24	96	20	M5	5.4	10	0.18
*3/8 ✓	10	10	61.5	15.5	46	23	11.4	51.5	27.5	24	96	20	M5	6	10	0.16
*1/2 ✓	15	14	69.7	20	49.7	33	15	62	31	31	96	25	M5	15.7	10	0.24
*3/4 ✓	20	19	85	24.5	60.5	39	16.3	69	34.5	34.5	123	31	M5	28	10	0.40
*1 ✓	25	24	94.3	29	65.3	49	19.1	83	41.5	41.5	123	38	M5	41.5	10	0.61