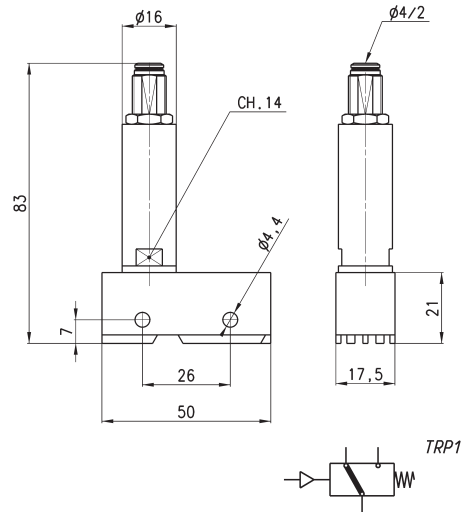


Electro-pneumatic transducer Series TRP



Series TRP electro-pneumatic transducer is particularly suitable to convert a pneumatic signal into an electrical signal. The contacts are NC (normally closed) or NO (normally open), thus making it possible to generate or eliminate current when the pneumatic signal is present. Minimum operating pressure 2,5 bar.

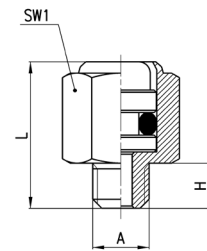


Mod.	TRP-8
------	-------

Pressure indicators Series 2950

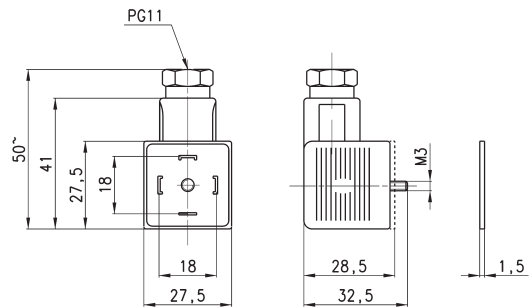


The pressure indicator Mod. 2950-M5 is passive element (no spring, red colour). It is useful for detecting pressure manually without having to remove the connections.



DIMENSIONS				
Mod.	A	H	L	SW1
2950 M5	M5	4	13.5	8

3-pole connector Mod. 124-830 for pressure switch Mod. PM11-SC



Mod.	description	colour	working voltage	cable holding	tightening torque
124-830	three-pole connector without electronics	black	-	PG9/PG11	0.5 Nm
124-830EX	three-pole ATEX connector without electronics	black	-	PG9/PG11	0.5 Nm