

# Circuit selector Mod. SCS

Ports: G1/8



» Channelling of two signals coming alternately from two different points towards the same point

The circuit selector Mod. SCS - 668-06 enables two signals coming alternately from two different points to be channelled towards the same point.

2

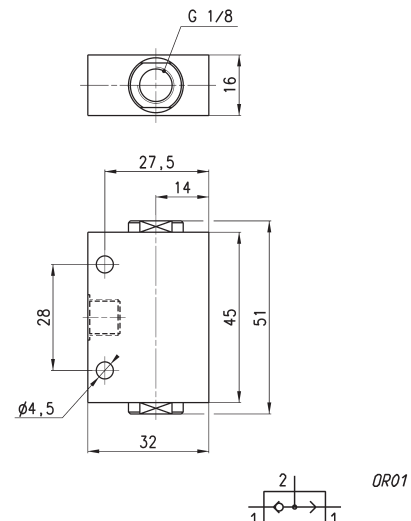
CONTROL

## GENERAL DATA

<b>Valve group</b>	automatic valves
<b>Construction</b>	poppet-type
<b>Materials</b>	AL body brass bush Delrin poppet NBR seals
<b>Mounting</b>	in any position
<b>Ports</b>	G1/8
<b>Operating temperature</b>	0°C + 80°C (with dry air -20°C)
<b>Medium</b>	filtered air, without lubrication. If lubricated air is used, it is recommended to use ISO VG32 oil. Once applied the lubrication should never be interrupted.

## Circuit selector Mod. SCS

The selector is mounted by through holes in the body.



Mod.	Flow (NI/min)	Min. operating pressure (bar)	Max working pressure (bar)
SCS-668-06	800	0.2	10

# Series VNR unidirectional valves

Ports: M5, G1/8, G1/4, G3/8, G1/2, G3/4, G1

2

CONTROL

» Operations at low pressures



Series VNR unidirectional valves, thanks to their poppet-type construction, can operate at low pressures both when there is a free flow and during retention.

## GENERAL DATA

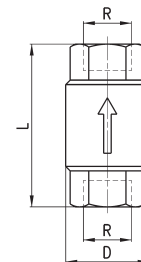
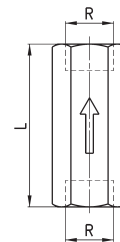
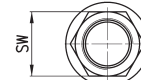
<b>Valve group</b>	automatic valves
<b>Construction</b>	poppet-type
<b>Materials</b>	brass body stainless steel spring NBR seals
<b>Mounting</b>	in any position
<b>Ports</b>	M5, G1/8, G1/4, G3/8, G1/2, G3/4, G1
<b>Operating temperature</b>	0°C + 80°C (with dry air -20°C)
<b>Medium</b>	filtered air, without lubrication. If lubricated air is used, it is recommended to use ISO VG32 oil. Once applied the lubrication should never be interrupted.

## Series VNR unidirectional valves



M5-G1/8-G1/4

G3/8-G1/2-G3/4-G1



VNR1

## DIMENSIONS

Mod.	R	L	SW	D	Flow (NI/min)	Min. operating pressure (bar)	Max working pressure (bar)
VNR-205-M5	M5	25	8	9	50	1	10
VNR-210-1/8	G1/8	34	13	15	600	0.2	10
VNR-843-07	G1/4	43	17	20	1400	0.2	10
VNR-238-3/8	G3/8	55	23	34.5	3000	0.02	25
VNR-212-1/2	G1/2	58.5	27	34.5	5800	0.02	25
VNR-234-3/4	G3/4	65	33	41.5	8000	0.06	25
VNR-201-01	G1	74.5	40	48	13000	0.06	25

# Series VSO, VSC quick exhaust valves

Series VSO ports: M5, G1/8, cartridge  $\varnothing 4$

Series VSC ports: G1/8, G1/4, G1/2



**Series VSC and VSO quick exhaust valves are commonly used to increase the speed of cylinders or for rapid depressurisation of tanks containing compressed air.**

Mod. VSO 425-M5, VSO 426-04: they are particularly suitable to be mounted on solenoid valves and valves incorporating a  $\varnothing 4$  cartridge.

Mod. VSO 4-1/8: it is particularly suitable for direct mounting on the actuator connection. The air coming in from the jointed part (1) is used by the threaded side (2), whilst the exhaust (3) passes through the holes sideways to the valve body.

Mod. VSC: they are particularly suitable to be mounted directly on the cylinder mouth through the use of a nipple. It is recommended to mount a silencer on the outlet.

- » Suitable to rapidly discharge air contained in tanks, systems or cylinder chambers.
- » Threaded versions and with fitting

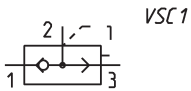
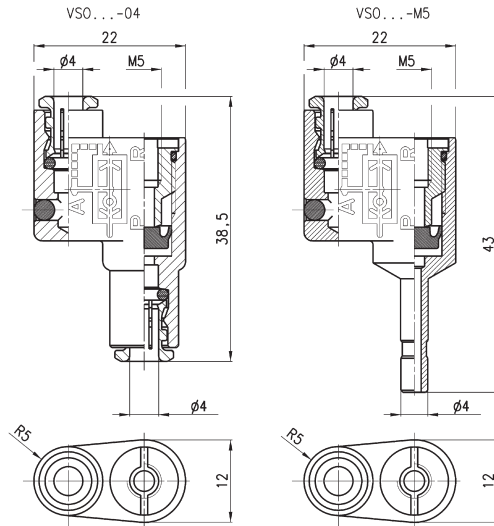
2

CONTROL

## GENERAL DATA

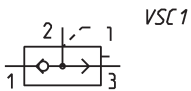
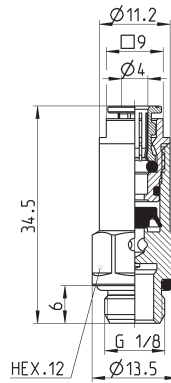
<b>Valve group</b>	automatic valves
<b>Construction</b>	poppet-type
<b>Materials</b>	Series VSO: brass body - NBR seals Series VSC: brass body - Desmopan seal
<b>Mounting</b>	in any position
<b>Ports</b>	Series VSO: M5, G1/8, cartridge $\varnothing 4$ Series VSC: G1/8, G1/4, G1/2
<b>Operating temperature</b>	0°C ÷ 80°C (with dry air -20°C)
<b>Fluid</b>	filtered air, without lubrication. If lubricated air is used, it is recommended to use ISO VG32 oil. Once applied the lubrication should never be interrupted.

Quick exhaust valves Mod. VSO 425-M5, VSO 426-04



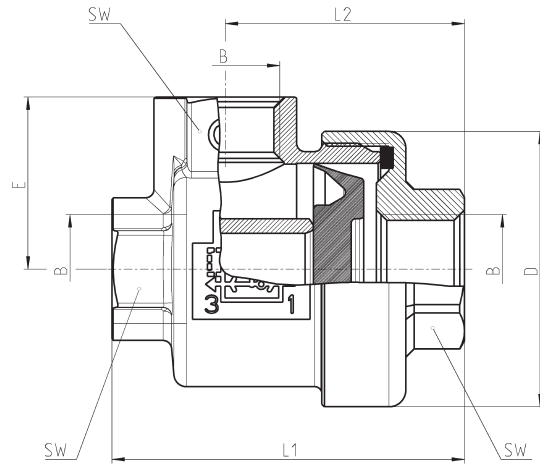
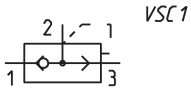
Mod.	Ports	Flow rate at 6 bar 1 > 2 (NI/min)	Flow rate at 6 bar 2 > 3 (NI/min)	Min. operating pressure (bar)	Max working pressure (bar)
VSO 425-M5	M5	50 ( $\Delta P = 1$ bar)	100 ( $\Delta P = 1$ bar)	1	16
VSO 426-04	cartridge ø4	50 ( $\Delta P = 1$ bar)	100 ( $\Delta P = 1$ bar)	1	16

Quick exhaust valve Mod. VSO 4-1/8



Mod.	Ports	Flow rate at 6 bar 1 > 2 (NI/min)	Flow rate at 6 bar 2 > 3 (NI/min)	Min. operating pressure (bar)	Max working pressure (bar)
VSO 4-1/8	G 1/8	50 ( $\Delta P = 1$ bar)	330 (free flow)	0.5	16

Series VSC quick exhaust valves



Mod.	B	D	E	L1	L2	SW	Ports	Medium inlet flow rate 1 > 2 [flow at 6 bar, ΔP 1 bar] (NI/min)	Medium exhaust flow rate 2 > 3 [flow at 6 bar, ΔP 1 bar] (NI/min)	Min. operating pressure (bar)	Max working pressure (bar)
<b>VSC 588-1/8</b>	1/8	28	17.5	36.5	25	14	G1/8	630	940	0.5	12
<b>VSC 544-1/4</b>	1/4	33	20.5	42	28.5	17	G1/4	860	1600	0.3	12
<b>VSC 522-1/2</b>	1/2	43	27	57.5	39.5	24	G1/2	4700	6250	0.2	12