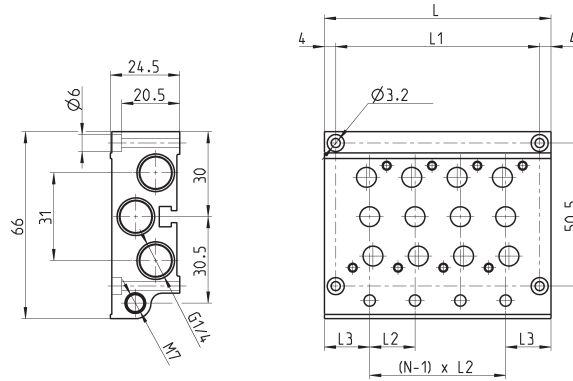


Manifold for valves size 16 and 19 (outlets on the body valve)



Mod.	Nr of valve positions	L	L1	L2	L3
EN531-1002	2	48	40	16	16
EN531-1003	3	64	56	16	16
EN531-1004	4	80	72	16	16
EN531-1005	5	96	88	16	16
EN531-1006	6	112	104	16	16
EN531-1008	8	144	136	16	16
EN531-1010	10	176	168	16	16
EN531-1012	12	208	200	16	16
EN551-1002	2	53	45	19	17
EN551-1003	3	72	64	19	17
EN551-1004	4	91	83	19	17
EN551-1005	5	110	102	19	17
EN551-1006	6	129	121	19	17
EN551-1008	8	167	159	19	17
EN551-1010	10	205	197	19	17
EN551-1012	12	243	235	19	17