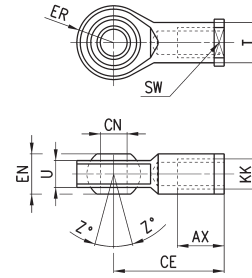


### Swivel ball joint Mod. GA

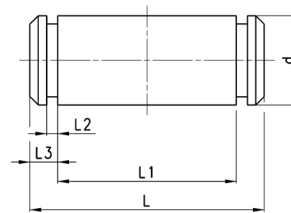
ISO 8139



DIMENSIONS											
Mod.	Ø	øCN	U	EN	ER	AX	CE	KK	ØT	Z	SW
GA-160-200	160-200	35	28	43	40	56	125	M36x2	46	6	50
GA-250	250	40	33	49	-	60	142	M42x2	55	17	55
GA-320	320	50	45	60	58.5	65	160	M48x2	65	12	65

### Clevis pin Mod. S

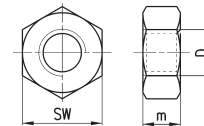
Supplied with:  
1x centering pin  
2x seeger in steel



DIMENSIONS							
Mod.	Ø	d	L	L1	L2	L3	
S-160-200	160-200	30	180.5	172	1.6	4.25	stainless steel 303
S-250	250	40	210	202	1.85	4.5	zinc-plated steel
S-320	320	45	236	222	1.85	7	zinc-plated steel

### Piston rod lock nut Mod. U

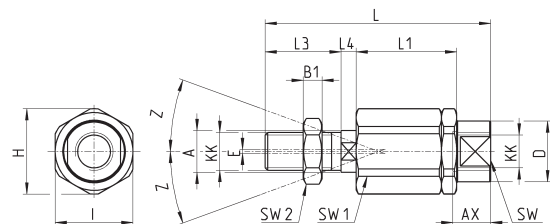
ISO 4035  
Material: zinc-plated steel



DIMENSIONS				
Mod.	Ø	D	m	SW
U-160-200	160-200	M36x2	14	55
U-250	250	M42x2	16	65
U-320	320	M48x2	24	75

### Self aligning rod Mod. GK

Material: zama and zinc-plated steel.

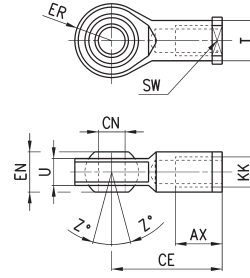


DIMENSIONS																	
Mod.	Ø	KK	L	L1	L3	L4	øA	øD	H	I	SW	SW1	SW2	B1	AX	Z	E
GK-160-200	160-200	M36x2	190	77	72	15.5	39	57	75	70	54	32	55	14	68	4	2

### Swivel ball joint Mod. GA



ISO 8139.  
Material: zinc-plated steel.

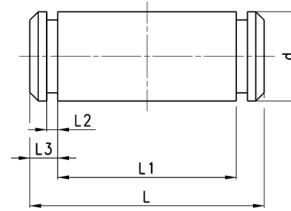


DIMENSIONS											
Mod.	∅	$\varnothing$ CN	U	EN	ER	AX	CE	KK	∅T	Z	SW
GA-160-200	160-200	35	28	43	40	56	125	M36x2	46	6	50

### Clevis pin Mod. S



Supplied with:  
1x centering pin in stainless steel 303  
2x seeger in steel

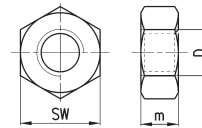


DIMENSIONS						
Mod.	∅	d	L	L1	L2	L3
S-160-200	160-200	30	180.5	172	1.6	4.25

### Piston rod lock nut Mod. U



ISO 4035  
Material: zinc-plated steel

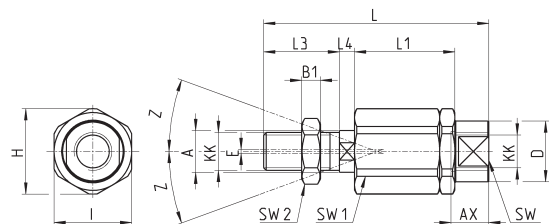


DIMENSIONS				
Mod.	∅	D	m	SW
U-160-200	160-200	M36x2	14	55

### Self aligning rod Mod. GK



Material: zama and zinc-plated steel.

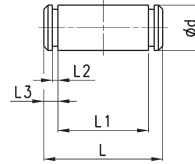


DIMENSIONS																	
Mod.	∅	KK	L	L1	L3	L4	$\varnothing$ A	$\varnothing$ D	H	I	SW	SW1	SW2	B1	AX	Z	E
GK-160-200	160-200	M36x2	190	77	72	15.5	39	57	75	70	54	32	55	14	68	4	2

## Clevis pin Mod. S



Supplied with:  
1x clevis pin in stainless steel 303  
2x Seeger in steel



DIMENSIONS						
Mod.	Ø	d	L	L1	L2	L3
S-32	32	10	52	46	1,1	3
S-40	40	12	59	53	1,1	3
S-50	50	12	67	61	1,1	3
S-63	63	16	77	71	1,1	3
S-80	80	16	97	91	1,1	3
S-100	100	20	121	111	1,3	5
S-125	125	25	140,5	132	1,3	4,25

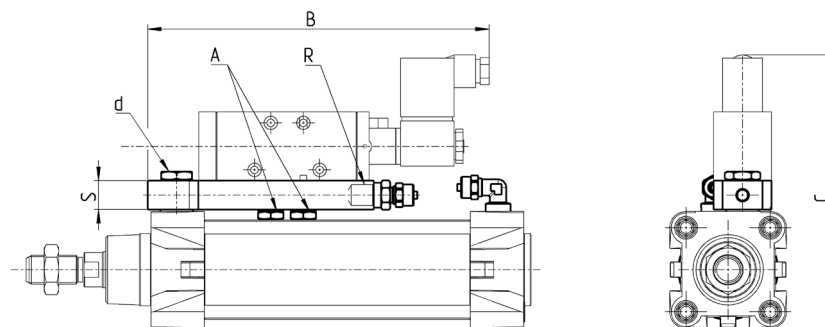
## Accessory for mounting valves on the cylinder

The mounting sub-base Mod. PCV enables the valve to be mounted directly on the cylinder and it's fixed on it using screws Mod. 1635 or flow controllers, Mod. SCU. The other end of the plate has a threaded port.



d\* = mounting on the cylinder using Mod. 1635 or Mod. SCU.

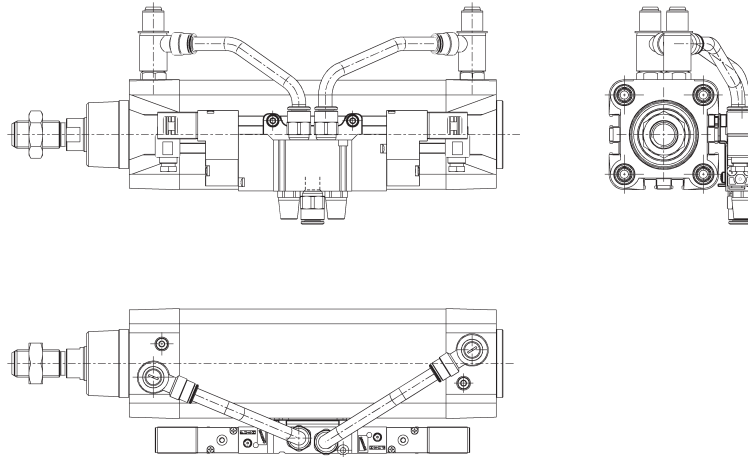
Note: the minimum possible stroke is 100mm.



DIMENSIONS							
Mod.	Ø	A	B	C	R	S	d*
PCV-32	32	G1/8	185	131,5	G1/8	16	G1/8
PCV-40-50	40	G1/8	188,5	140,5	G1/4	16	G1/4
PCV-40-50	50	G1/8	188,5	150	G1/4	16	G1/4
PCV-63-80	63	G1/4	215	167	G1/4	16	G3/8
PCV-63-80	80	G1/4	215	185	G1/4	16	G3/8

## Accessory to mount valves on the cylinder

The mounting sub-base Mod. PCV enables the valve or solenoid valve to be mounted directly on the cylinder.

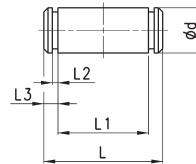


DIMENSIONS	
Mod.	
PCV-61-K3	to connect valves - solenoid valves Series 3
PCV-61-K4	to connect valves - solenoid valves Series 4 port G1/4
PCV-62-KEN	to connect valves - solenoid valves Series EN
PCV-61-K8	to connect valves - solenoid valves Series 4 port G1/8 and Series 3 port G1/4

## Clevis pin Mod. S



Supplied with:  
1x clevis pin in stainless steel 303  
2x Seeger in steel



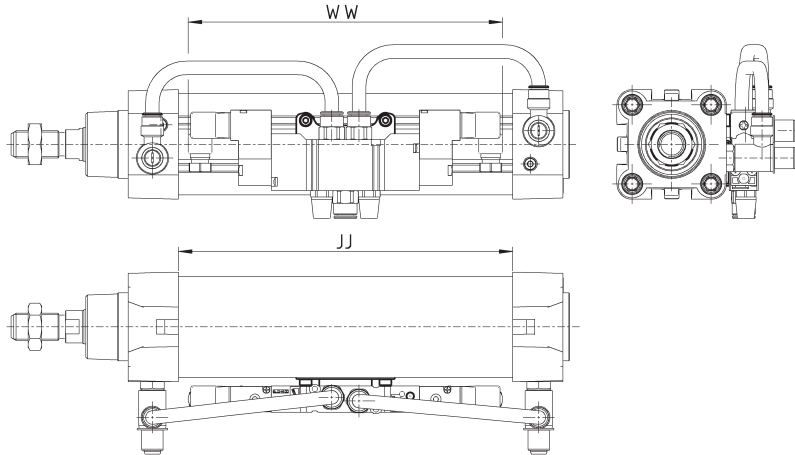
DIMENSIONS							
Mod.	Ø	d	L	L1	L2	L3	
S-32	32	10	52	46	1,1	3	
S-40	40	12	59	53	1,1	3	
S-50	50	12	67	61	1,1	3	
S-63	63	16	77	71	1,1	3	
S-80	80	16	97	91	1,1	3	
S-100	100	20	121	111	1,3	5	
S-125	125	25	140,5	132	1,3	4,25	

## Accessory to mount valves on the cylinder

The mounting sub-base Mod. PCV enables the valve or solenoid valve to be mounted directly on the cylinder, thus forming a compact unit to apply.



Make sure that the WW dimension of the valve to be mounted is smaller than the JJ cylinder dimension.  
Further information on <http://catalogue.camozzi.com/downloads>.

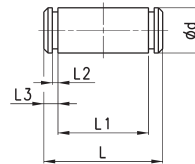


Mod.	
PCV-62-K3	to connect valves - solenoid valves Series 3
PCV-62-K4	to connect valves - solenoid valves Series 4 port G1/4
PCV-62-KEN	to connect valves - solenoid valves Series EN
PCV-62-K8	to connect valves - solenoid valves Series 4 port G1/8 and Series 3 port G1/4

## Clevis pin Mod. S



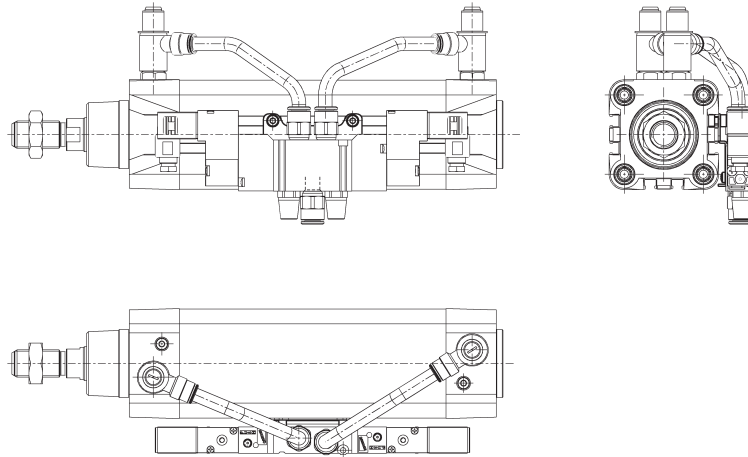
Supplied with:  
1x clevis pin in stainless steel 303  
2x Seeger in steel



DIMENSIONS						
Mod.	Ø	d	L	L1	L2	L3
S-32	32	10	52	46	1,1	3
S-40	40	12	59	53	1,1	3
S-50	50	12	67	61	1,1	3
S-63	63	16	77	71	1,1	3
S-80	80	16	97	91	1,1	3
S-100	100	20	121	111	1,3	5

## Accessory to mount valves on the cylinder

The mounting sub-base Mod. PCV enables the valve or solenoid valve to be mounted directly on the cylinder.



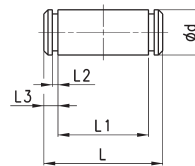
DIMENSIONS	
Mod.	
PCV-61-K3	to connect valves - solenoid valves Series 3
PCV-61-K4	to connect valves - solenoid valves Series 4 port G1/4
PCV-62-KEN	to connect valves - solenoid valves Series EN
PCV-61-K8	to connect valves - solenoid valves Series 4 port G1/8 and Series 3 port G1/4

## Clevis pin Mod. S

Materials: Stainless steel 303 (clevis pin) / Steel (Seeger)



Supplied with:  
1x clevis pin  
2x Seeger

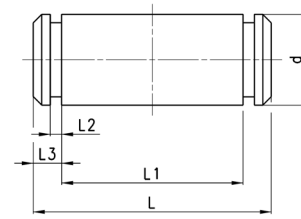


DIMENSIONS						
Mod.	Ø	d	L	L1	L2	L3
S-50	50	12	67	61	1,1	3
S-63	63	16	77	71	1,1	3
S-80	80	16	97	91	1,1	3
S-100	100	20	121	111	1,3	5
S-125	125	25	140,5	132	1,3	4,25

### Clevis pin Mod. S



Supplied with:  
1x centering pin in stainless steel 303  
2x seeger in steel

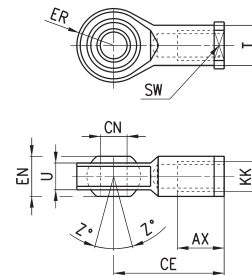


DIMENSIONS						
Mod.	∅	d	L	L1	L2	L3
S-32	32	10	52	46	1.1	3
S-40	40	12	59	53	1.1	3
S-50	50	12	67	61	1.1	3
S-63	63	16	77	71	1.1	3
S-80	80	16	97	91	1.1	3
S-100	100	20	121	111	1.3	5
S-125	125	25	140.5	132	1.3	4.25

### Swivel ball joint Mod. GA



ISO 8139.  
Material: zinc-plated steel.

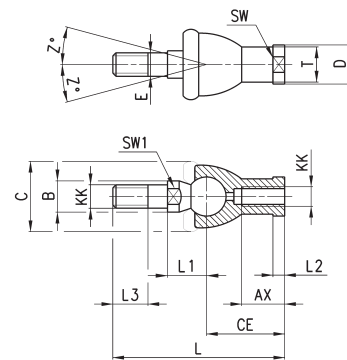


Mod.	∅ <sup>(17)</sup>	U	EN	ER	AX	CE	KK	∅ <sup>T</sup>	Z	SW
GA-32	10	10,5	14	14	20	43	M10X1,25	15	6,5	17
GA-40	12	12	16	16	22	50	M12X1,25	17,5	6,5	19
GA-50-63	16	15	21	21	28	64	M16X1,5	22	7,5	22
GA-80-100	20	18	25	25	33	77	M20x1,5	27,5	7	30
GA-41-125	30	25	37	37	51	110	M27x2	40	7,5	41

### Piston rod socket joint Mod. GY



Material: zama and zinc-plated steel.



DIMENSIONS																
Mod.	∅	KK	L	CE	L2	AX	SW	SW1	L1	L3	∅ <sup>T</sup>	∅ <sup>D</sup>	E	∅ <sup>B</sup>	∅ <sup>C</sup>	Z
GY-32	32	M10X1,25	74	35	6,5	18	17	11	19,5	15	15	19	10	14	28	15
GY-40	40	M12X1,25	84	40	6,5	20	19	17	21	17	17,5	22	12	19	32	15
GY-50-63	50-63	M16X1,5	112	50	8	27	22	19	27,5	23	22	27	16	22	40	11
GY-80-100	80-100	M20x1,5	133	63	10	38	30	24	31,5	25	27,5	34	20	27	45	7,5

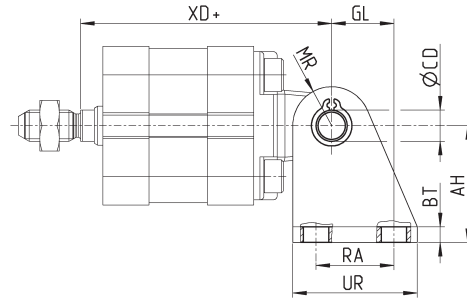
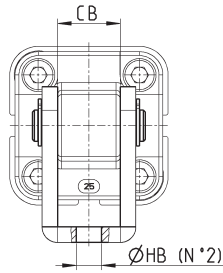
### 90° swivel combination for trunnion Mod. I

Material: zinc-plated steel.



Supplied with:  
1x female support  
2x seeger  
1x clevis pin

+ = add the stroke

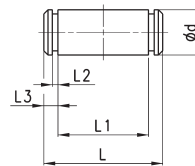


DIMENSIONS											
Mod.	∅	AT	BT	∅CD	CB	GL	∅HB	MR	RA	UR	XD
I-20-25	20	30	4	8	16,1	16	6,5	10	20	32	62,5
I-20-25	25	30	4	8	16,1	16	6,5	10	20	32	64,5

### Clevis pin Mod. S



Supplied with:  
1x clevis pin in stainless steel  
2x Seeger in steel

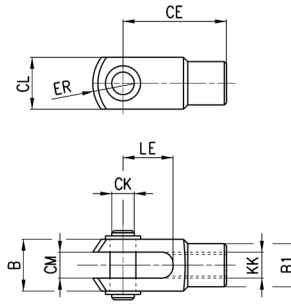
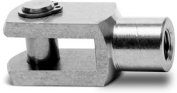


DIMENSIONS						
Mod.	∅	D	L	L1	L2	L3
S-32	32	10	52	46	1,1	3
S-40	40	12	59	53	1,1	3
S-50	50	12	67	61	1,1	3
S-63	63	16	77	71	1,1	3
S-80	80	16	97	91	1,1	3
S-100	100	20	121	111	1,3	5



### Rod fork end Mod. G-90

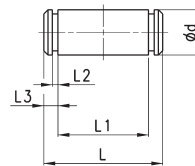
Material: stainless steel 303  
ISO 8140



DIMENSIONS										
Mod.	∅	∅CK	LE	CM	CL	ER	CE	KK	B	∅B1
G-90-25-32	32	10	20	10	20	12	40	M10x1,25	26	18
G-90-40	40	12	24	12	24	14	48	M12x1,25	31	20
G-90-50-63	50-63	16	32	16	32	19	64	M16x1,5	39	26
G-90-80-100	80-100	20	40	20	40	25	80	M20x1,5	50	34
G-90-125	125	30	54	30	55	38	110	M27x2	67	48

### Clevis pin Mod. S-90

Material: stainless steel 303

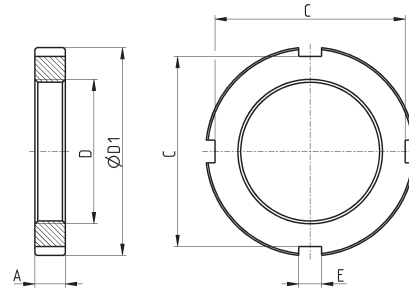


DIMENSIONS							
Mod.	∅	∅d	L	L1	L2	L3	
S-90-32	32	10	53	46	1,1	3	
S-90-40	40	12	60	53	1,1	3	
S-90-50	50	12	68	61	1,1	3	
S-90-63	63	16	78	71	1,1	3	
S-90-80	80	16	98	91	1,1	3	
S-90-100	100	20	118	111	1,3	5	
S-90-125	125	25	139	132	1,3	4,2	

### Nose nut Mod. V-97



Material: stainless steel 304

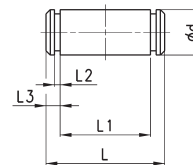


DIMENSIONS							
Mod.	Ø	A	D	ØD1	E	C	
V-97-32	32	7	M30x1.5	42	5	38	
V-97-40	40	8	M38x1.5	55	6	50	
V-97-50-63	50-63	10	M45x1.5	60	6	53	

### Clevis pin Mod. S-90



Supplied with:  
1x clevis pin in stainless steel 303  
2x seeger in steel

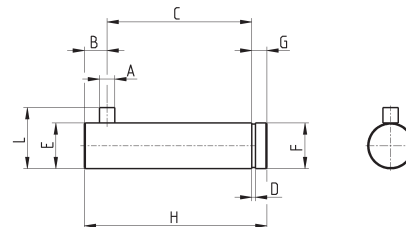


DIMENSIONS							
Mod.	Ø	Ød	L	L1	L2	L3	
S-90-32	32	10	53	46	1.1	3	
S-90-40	40	12	60	53	1.1	3	
S-90-50	50	12	68	61	1.1	3	
S-90-63	63	16	78	71	1.1	3	

### Antirotating clevis pin Mod. SR-90



Supplied with:  
1x antirotating clevis pin  
in stainless steel 316  
1x seeger in steel



DIMENSIONS											
Mod.	Ø	A	B	C	D	E	F	G	H	L	
SR-90-32	32	3	4.5	32.5	1.1	10	9.6	4	41	14	
SR-90-40	40	4	6	38	1.1	12	11.5	4	48	16	
SR-90-50	50	4	6	43	1.1	16	15.2	5	54	20	
SR-90-63	63	4	6	49	1.1	16	15.2	5	60	20	