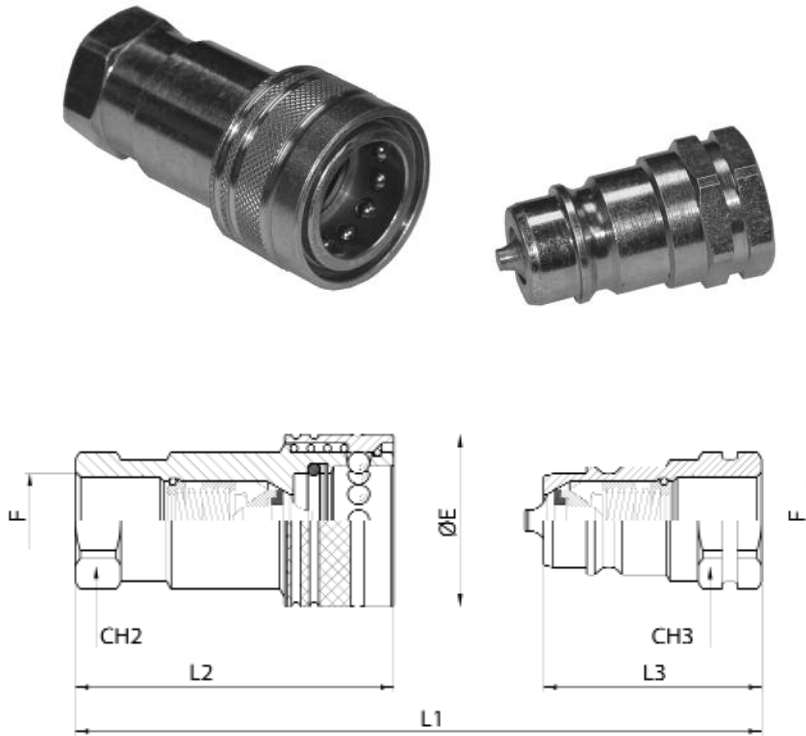


Quick Release Couplings - CAM IA(F/M) Series

ISO A Norm



Technical Data

Characteristics:

Simple connection and disconnection by pulling back the sleeve. Positive, quick connection of the male into the female by the latching ball system. Shut-off by poppet valve. High resistant materials and hardened male and sleeve to withstand the brinelling effect.

Threads:

BSP
NPT on request

Material:

Female and male couplings in steel, with some hardened areas, in correspondence to the most stressed points. Springs in C98 steel, seals in NBR (other materials on request) and Back-up Ring in PTFE.

Operating and Burst Pressures:

See table below.

Working Temperature:

-30°C up to +110°C

(for other temperatures the coupling is assembled with the specified seals)

Special Requests:

For assistance, contact our technical office or your local Camozzi distributor.

Size	ISO	Dimensions			Thread Size	Carrier Half Part Number	Probe Half Part Number			
		CH2	CH3	øE						
1/4	6.3	17	17	24	69.1	48.8	34.5	1/4	CAM IAF 0404	CAM IAM 0404
3/8	10	22	22	30	80.3	57.8	40.0	3/8	CAM IAF 0606	CAM IAM 0606
1/2	12.5	27	27	38	90.2	67.0	45.0	1/2	CAM IAF 0808	CAM IAM 0808
3/4	19	34	34	45	113.3	83.5	56.5	3/4	CAM IAF 1212	CAM IAM 1212
1	25	41	41	52	129.7	97.9	64.5	1	CAM IAF 1616	CAM IAM 1616

Size	ISO	Working Pressure Dynamic (bar)	Rated Flow at 2 bar of pressure drop (L/min)	Min. Burst Pressure			Fluid Spillage (cc)
				Male (bar)	Female (bar)	Coupled (bar)	
1/4	6.3	350	5	2000	1500	1450	0.7
3/8	10	315	35	1450	1450	1300	1.4
1/2	12.5	300	75	1200	1500	1500	1.8
3/4	20	250	147	1000	1200	1000	7
1	25	250	250	1000	1100	1100	10.5