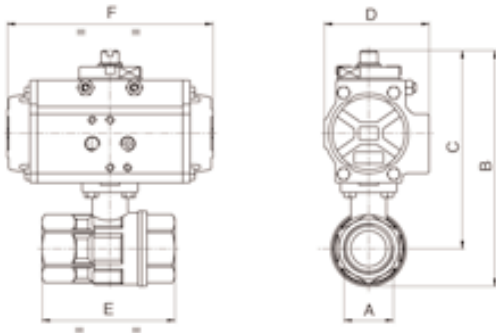


Actuated Two-Way Stainless Steel Ball Valves

Full bore 2-way Stainless Steel Ball Valve (Type 703000 Page 6.00/009) with Direct Mount Pneumatic Actuator.

Part Number: 8P0003* - Double Acting
8P0004* - Single Acting



Valve Mounted on Double Acting Actuator. Types 8P0003

Dimensions (mm)										
Size	Thread	DN	PN	A	B	C	D	E	F	ACT
*04	1/2	15	64	1/2	115	98	45	67	110	DA 32
*05	3/4	20	64	3/4	121	100	45	78	110	DA 32
*06	1	25	64	1	136	110	45	90	110	DA 32
*07	1 1/4	32	64	1 1/4	146	113	45	100	110	DA 32
*08	1 1/2	40	64	1 1/2	191	153	71	112	140	DA 52
*10	2	50	64	2	211	162	71	135	140	DA 52

Valve Mounted on Single Acting Actuator. Types 8P0004

Dimensions (mm)										
Size	Thread	DN	PN	A	B	C	D	E	F	ACT
*04	1/2	15	64	1/2	140	122	71	67	140	SR 52
*05	3/4	20	64	3/4	145	124	71	78	140	SR 52
*06	1	25	64	1	160	134	71	90	140	SR 52
*07	1 1/4	32	64	1 1/4	170	138	71	100	140	SR 52
*08	1 1/2	40	64	1 1/2	202	164	81	112	162	SR 63
*10	2	50	64	2	222	173	81	135	162	SR 63

Technical Data

Media

Any application with media suitable to stainless steel (materials of construction)

Operating Pressure

10⁻³ torr max vacuum to 64 bar

Operating Temperature

-20°C to +160°C

Flow Rates

Flow rates stated in Kv: Flow coefficient in m³/h at differential pressure of 100kPa

Threads

ISO 7/1 RP

Materials

Body: CF8M

Ball: AISI 316

Seals: PTFE with Viton 'O' Ring

Stem: AISI 316

Size: 1/4 to 2 UNI ISO 7/1

Additional Options

Valve with NPTF threads. Limit switchbox for open and close position indicator.

Actuation fitting conditions.

Fluid H₂O +20°C Actuation 6 bar.

NAMUR solenoid valve

Special Requests

For assistance, contact our technical office or your local Camozzi distributor.



NAMUR solenoid valves



Limit switch box