










9 Spare Parts & Seal Kits

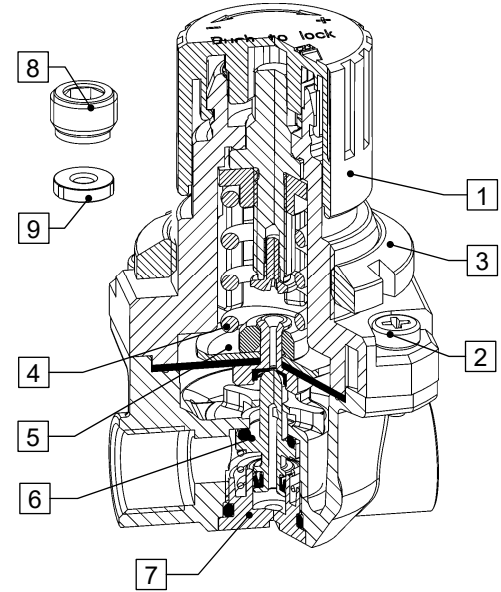
Page

Series M	Spare Parts Series M	306
Series N	Spare Parts Series N	307
Series MD	Spare Parts Series MD	310
Series MC	Spare Parts Series MC	313
Series MX	Spare Parts Series MX	319
Series T	Spare Parts Series T	321

Spare Parts and Seal Kits

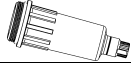
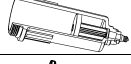


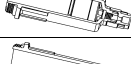
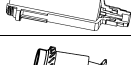

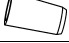


Spare Parts REGULATORS Series M

Pos.	Drawing	Description	M008 / M004
1		Complete bell with regulation screw	MC1-R2
2		Bell fixing screw	C104-R28
3		Panel nut	MC104-R22
4		Spring 1 bar	C104-R16/2
		Spring 2 bar	C104-R16/1
		Spring 4 bar	C104-R16
		Spring 7 bar	C104-R16/5
		Spring 10 bar	C104-R17
5		Complete standard diaphragm	C1-R27
		Complete diaphragm non-relieving	C1-R28
		Complete diaphragm with controlled leak	C1-R27/S
6		Complete standard poppet valve	M0-R32/4
		Complete poppet-valve with exhaust	M0-R32/5
7		Complete valve bearing tap	M0-R9/1
8		Rear screw for pressure gauge connection	MC104-R9
9		Special O-ring seal	C104-F30/1



9 SPARE PARTS AND SEAL KITS

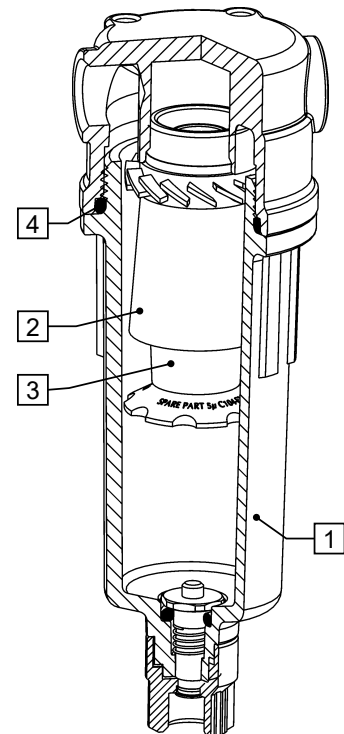
Spare Parts FILTERS and COALESCING-FILTERS Series N

Pos.	Drawing	Description	MX1-F10	N 208 / N204
1		Complete bowl with semiautomatic-manual drain	N1-F71	N2-F71
-		Complete bowl with depressurization drain	N/A	N2-F71/2
-		Seal for depressurization drain	N/A	C104-F76
-		Shutter for depressurization drain	N/A	C104-F73
-		Complete bowl with protected depressurization drain	N/A	N2-F71/1
-		Complete bowl with port 1/8 (without drain)	N1-F71-1/8	N2-F71-1/8
2		Complete filtering element 25µ	C1-F20/3	C1-F20/3
		Complete filtering element 5µ	C1-F21/3	C1-F21/3
3		Filtering element 25µ	C104-F20/3	C104-F20/3
		Filtering element 5µ	C104-F21/3	C104-F21/3
-		Filtering element 0,01µ	C104-F26	C104-F26
4		Standard bowl O-ring	N204-F25	N204-F25






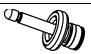



= solo per filtro / for filter only

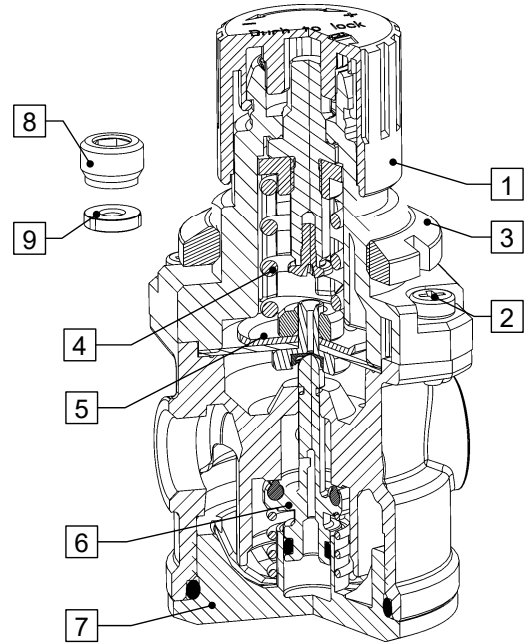
*

** = solo per filtro-disoleatore / for coalescing-filter only

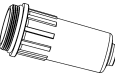

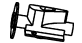




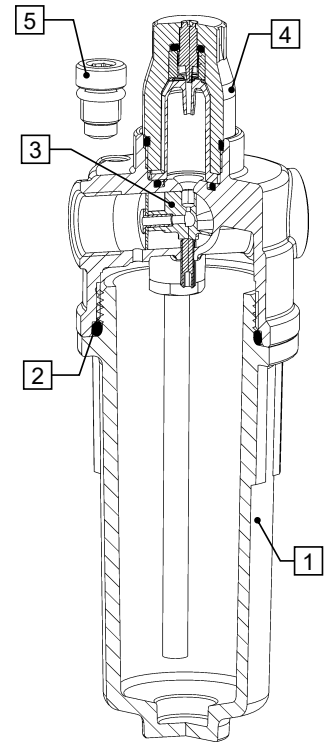
Spare Parts REGULATORS Series N

Pos.	Drawing	Description	N1208 / N1204
1		Complete bell with regulation screw	MC1-R2
2		Bell fixing screw	C104-R28
3		Panel nut	MC104-R22
4		Spring 1 bar	C104-R16/2
		Spring 2 bar	C104-R16/1
		Spring 4 bar	C104-R16
		Spring 7 bar	C104-R16/5
5		Complete standard diaphragm	C1-R27
		Complete diaphragm non-relieving	C1-R28
		Complete diaphragm with controlled leak	C1-R27/S
6		Complete standard poppet valve	N2-R32
7		Complete valve bearing tap	N204-R3/3
8		Rear screw for pressure gauge connection	MC104-R9
9		Special O-ring seal	C104-F30/1



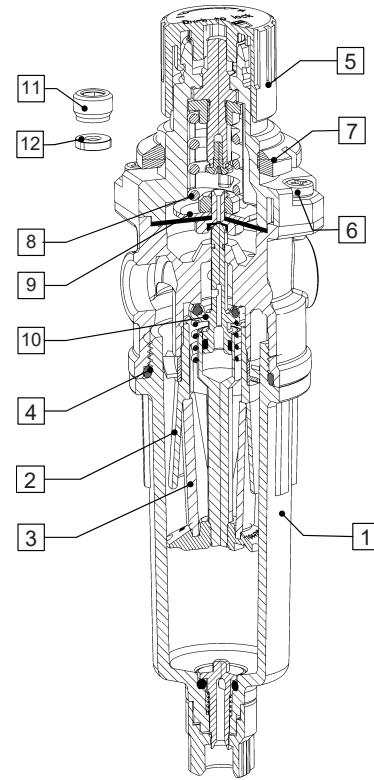
Spare Parts LUBRICATORS Series N

Pos.	Drawing	Description	N108	N104	N208	N204
1		Complete bowl	N1-L71	N1-L71	N2-L71	N2-L71
2		Standard bowl O-ring	N204-F25	N204-F25	N204-F25	N204-F25
3		Complete Venturi system	NA	MC1-L8	NA	MC1-L8
4		Complete lubricator cap	MC1-L24	MC1-L24	MC1-L24	MC1-L24
5		Complete oil refilling tap	C1-L34	C1-L34	C1-L34	C1-L34



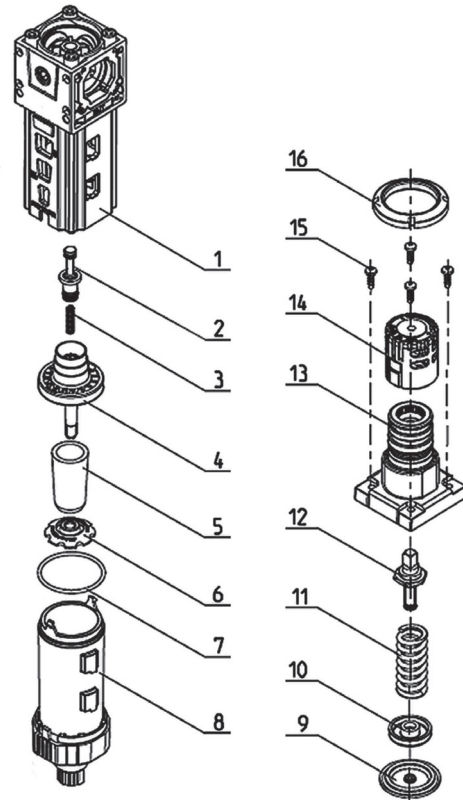
Spare Parts FILTER-REGULATORS Series N

1		Complete bowl with semiautomatic-manual drain	N1-F71	N2-F71
-		Complete bowl with depressuration drain	NA	N2-F71/2
-		Seal for depressuration drain	NA	C104-F76
-		Shutter poppet for depressuration drain	NA	C104-F73
-		Complete bowl with filter-protected depressuration drain	NA	N2-F71/1
-		Complete bowl with port 1/8, without drain	N1-F71-1/8	N2-F71-1/8
2		Complete filtering element 25µ	C1-F20/3	C1-F20/3
		Complete filtering element 5µ	C1-F21/3	C1-F21/3
3		Filtering element 25µ	C104-F20/3	C104-F20/3
		Filtering element 5µ	C104-F21/3	C104-F21/3
4		Standard bowl O-ring	N204-F25	N204-F25
5		Complete bell with regulation screw	MC1-R2	MC1-R2
6		Bell fixing screw	C104-R28	C104-R28
7		Panel nut	MC104-R22	MC104-R22



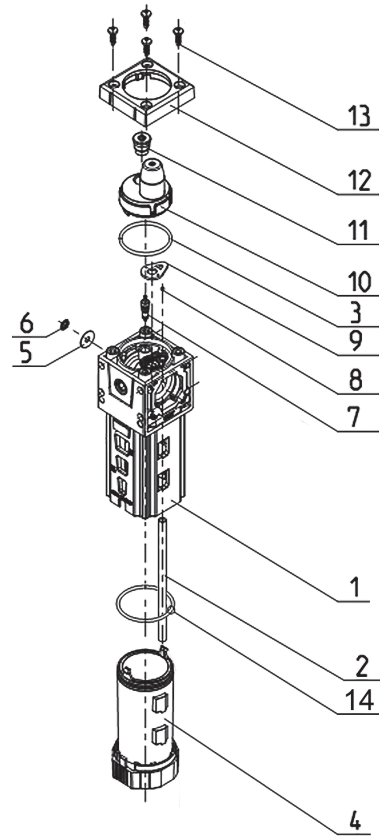
Spare Parts FILTER-REGULATORS Series MD

Pos.	Description	Parent Reference Part Number	Spare Part Number
1	Body		MD1-FR1-P
2	Poppet Valve Relieving & Non-Relieving	MD1-FR(01/2/3)XXX-X	MD1-R31/1-P
	Poppet Valve Fast Relieving (VS)	MD1-FR(4/5/6/7)XXX-X	MD1-R32/1-P
3	Lower Spring		MD1-R15
4	Valve Guide		MD1-F5
5	Filtering Element 5µ	MD1-FR(1/3/5/7)XXX-X	C104-F21/3
	Filtering Element 25µ	MD1-FR(0/2/4/6)XXX-X	C104-F20/3
6	Baffle		C104-F19
7	Bowl O-ring		32-19-11/4
8	Bowl w/ semiautomatic-manual drain	MD1-FRX0XX-X	MD1-F2-P
	Bowl w/ protected depressurization drain	MD1-FRX5XX-X	MD1-F2/3-P
	Bowl w/ G1/8 port	MD1-FRX8XX-X	MD1-F2/2-P
9	Diaphragm		MD1-R10
10	Diaphragm Plate - Relieving	MD1-FR(0/1/4/5)XXX-X	MD1-R18
	Diaphragm Plate - Non-Relieving	MD1-FR(2/3/6/7)XXX-X	MD1-R19
11	Upper Spring (7.25 - 145 psi)	MD1-FRXX0X-X	MD1-R17
	Upper Spring (0 - 29 psi)	MD1-FRXX2X-X	MD1-R13
	Upper Spring (0 - 58 psi)	MD1-FRXX4X-X	MD1-R14
	Upper Spring (7.25 - 101 psi)	MD1-FRXX7X-X	MD1-R16
12	Regulation Screw		MD1-R20-P
13	Bell		MD1-R2
14	Bell Housing		MD1-R5
15	Bell Housing Screws		MD1-R28
16	Panel Mounting Nut		MC104-R22



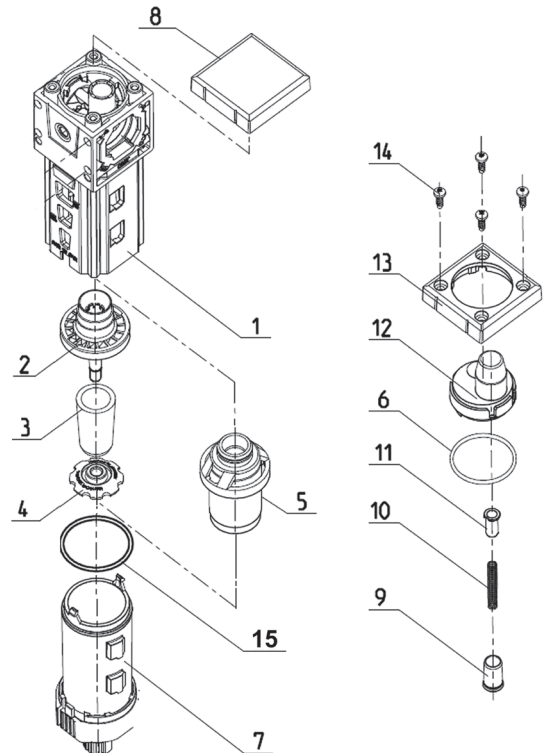
Spare Parts Lubricators Series MD

Pos.	Description	Parent Reference Part Number	Spare Part Number
1	Body		MD1-FR1-P
2	Tube		MD1-L18
4	Bowl		MD1-L2-P
5	Diaphragm		MD1-L6
6	C-clip Retainer Ring		MD1-L7
7	Valve		C238-L2
8	Bearing		70-5703-0002
9	Seal		MD1-L8
10	Indicator		MD1-L9-P
11	Complete Oil Refilling Tap		MD1-L3-P
12	Upper Cover		MD1-L4
13	Cover Screw		MD1-R28
14	Bowl O-ring		32-19-11/4



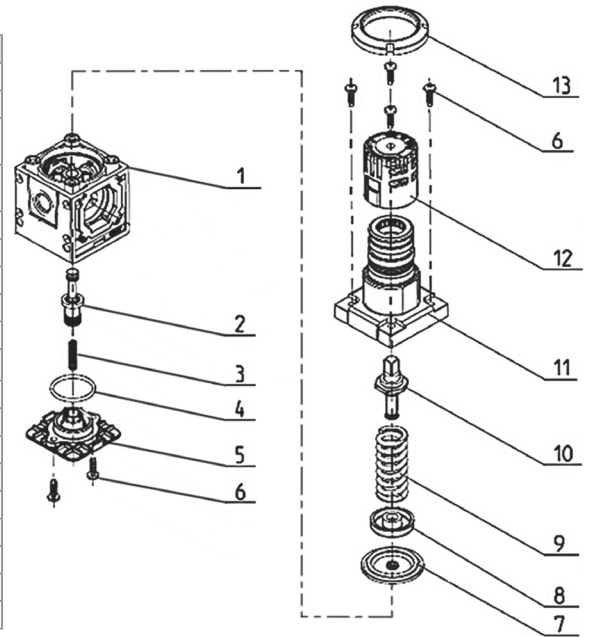
Spare Parts FILTERS AND COALESCING-FILTERS Series MD

Pos.	Description	Parent Reference Part Number	Spare Part Number
1	Body		MD1-FR1-P
2	Valve Guide		MD1-F5
3	Filtering Element 5μ	MD1-FR(1/3/5/7)XXX-X	C104-F21/3
	Filtering Element 25μ	MD1-FR(0/2/4/6)XXX-X	C104-F20/3
4	Coalescing Filter Element		MD1-F10
5	Baffle		C104-F19
6	Clog Indicator O-ring		OR 2118 NBR
7	Bowl w/ semiautomatic-manual drain	MD1-FRX0XX-X	MD1-F2-P
	Bowl w/ protected depressurization drain	MD1-FRX5XX-X	MD1-F2/3-P
	Bowl w/ G1/8 port	MD1-FRX8XX-X	MD1-F2/2-P
8	Upper Cover (standard body)		MD1-F4
9	Piston		MD1-F15-P
10	Indicator Spring		MD1-F16
11	Indicator Insert		MD1-F17
12	Clog Indicator		MD1-F14
13	Upper Cover (for use with clog indicator)		MD1-L4
14	Screws		MD1-R28
15	Bowl O-ring		32-19-11/4



Spare Parts REGULATORS Series MD

Pos.	Description	Parent Reference Part Number	Spare Part Number
1	Body		MD1-R1-P
2	Poppet Valve Relieving & Non-Relieving	MD1-RXX(0/1)X-X	MD1-R31/1-P
	Poppet Valve Fast Relieving (VS)	MD1-RXX(2/3)X-X	MD1-R32/1-P
3	Lower Spring		MD1-R15
4	O-ring		600-450/6
5	Lower Interior Cap		MD1-R6
6	Screws		MD1-R28
7	Diaphragm		MD1-R10
8	Diaphragm Plate - Relieving	MD1-RXX(0/2)X-X	MD1-R18
	Diaphragm Plate - Non-Relieving	MD1-RXX(1/3)X-X	MD1-R19
9	Upper Spring (7.25 - 145 psi)	MD1-R0XX-X	MD1-R17
	Upper Spring (0 - 29 psi)	MD1-R2XX-X	MD1-R13
	Upper Spring (0 - 58 psi)	MD1-R4XX-X	MD1-R14
	Upper Spring (7.25 - 101 psi)	MD1-R7XX-X	MD1-R16
10	Regulation Screw		MD1-R20-P
11	Bell		MD1-R2
12	Bell Housing		MD1-R5
13	Panel Mounting Nut		MC104-R22

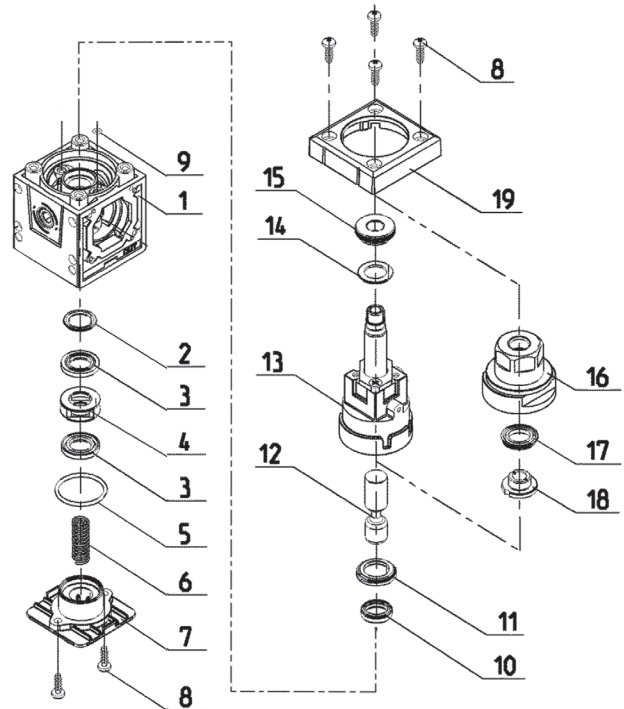


9

CAMOZZI SPARE PARTS AND SEAL KITS

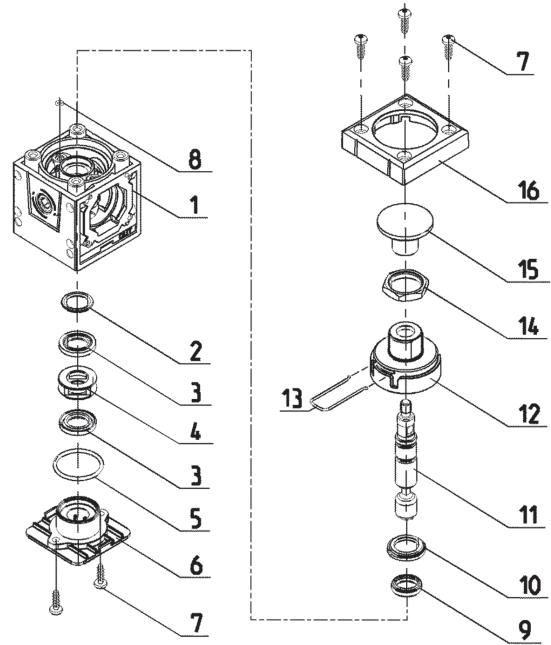
Spare Parts ISOLATION VALVES Series MD

Pos.	Description	Spare Part Number
1	Body	MD1-V1-P
2	"Z" Seal Spacer	MD1-V31
3	"Z" Seal	454-33/8
4	Spacers	MD1-V6
5	O-ring	600-450/6
6	Spring	MC104-V6
7	Lower Interior Cap	MD1-V3
8	Screw	MD1-R28
9	O-ring	452-35/47
10	Seal	20-31/3
11	Ring Seal	MD1-V32
12	Spool	MD1-V7
13	Solenoid Valve	MD1-V10-P
14	Washer	A331-1C2-131
15	Nut	A331-1C2-132
16	Upper Cap	MD1-V11
17	Seal DE	16-QN1/3
18	Piston	308-011/14
19	Upper Cover	MD1-L4



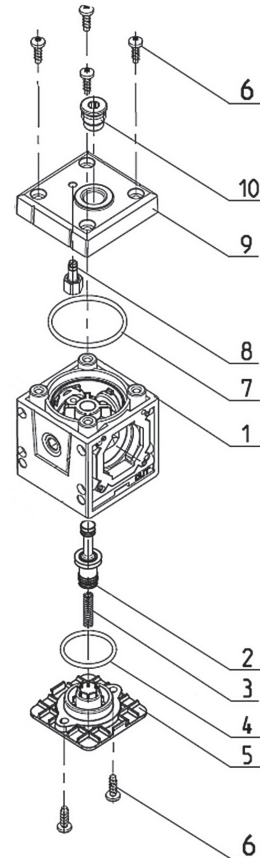
Spare Parts MANUAL LOCKABLE ISOLATION VALVES Series MD

Pos.	Description	Spare Part Number
1	Body	MD1-V1-P
2	"Z" Seal Spacer	MD1-V31
3	"Z" Seal	454-33/8
4	Spacers	MD1-V6
5	O-ring	600-450/6
6	Lower Interior Cap	MC104-V6
7	Screw	MD1-R28
8	O-ring	452-35/47
9	Seal	20-31/3
10	Ring Seal	MD1-V32
11	Spool	MD1-V8
12	Upper Cap	MD1-V9
13	Clip Ring	MD1-V13
14	Nut	1593 M16X1
15	Activating Element	MC104-V10
16	Upper Cover	MD1-L4



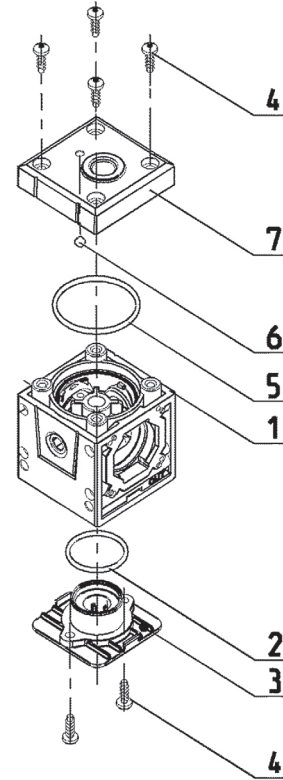
Spare Parts SOFT START VALVES Series MD

Pos.	Description	Spare Part Number
1	Body	MD1-V1-P
2	O-ring	600-450/6
3	Lower Interior Cap	MD1-V3TF
4	Screw	MD1-R28
5	O-ring	OR 2118 NBR
6	Bearing	70-5704-0006
7	Upper Cap	MD1-AV7



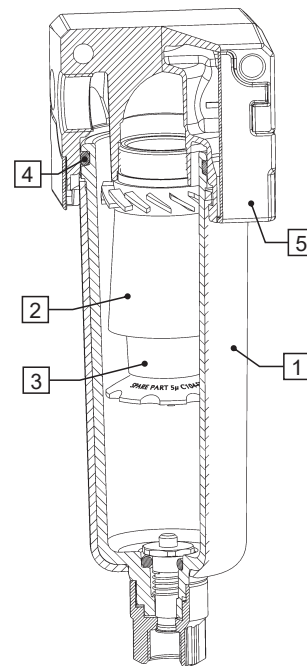
Spare Parts TAKEOFF BLOCKS MD

Pos.	Description	Spare Part Number
1	Body	MD1-V1-P
2	O-ring	600-450/6
3	Lower Interior Cap	MD1-V3TF
4	Screw	MD1-R28
5	O-ring	OR 2118 NBR
6	Bearing	70-5704-0006
7	Upper Cap	MD1-AV7










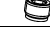
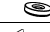

Spare Parts FILTERS and COALESCING-FILTERS Series MC

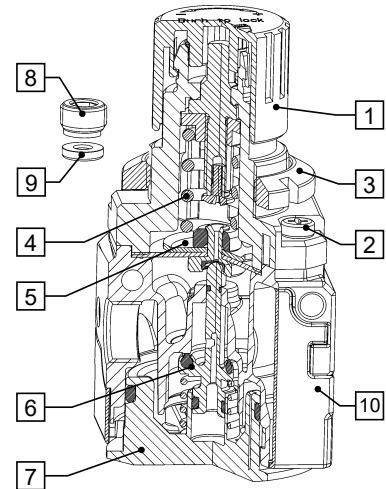
Pos.	Disegno / Drawing	Descrizione / Description	MC104	MC238 / MC202
1		Complete bowl with semiautomatic-manual drain	MC1-F71	MC2-F71
-		Complete bowl with automatic drain	N/A	MC2-F71/3
-		Automatic drain	N/A	C238-FSA2
-		Complete bowl with depressurization drain	MC1-F71/2	N/A
-		Seal for depressurization drain	C104-F76	N/A
-		Shutter for depressurization drain	C104-F73	N/A
-		Complete bowl with protected depressurization drain	MC1-F71/1	MC2-F71/1
-		Complete bowl with port 1/8, without drain	MC1-F71-1/8(TF)	MC2-F71-1/8(TF)
2	*	Complete filtering element 25µ	C1-F20/3	C2-F11/3
	*	Complete filtering element 5µ	C1-F21/3	C2-F12/3
3	*	Filtering element 25µ	C104-F20/3	C238-F11/3
	*	Filtering element 5µ	C104-F21/3	C238-F12/3
-	**	Filtering element 0,01µ	MX1-F10	MX2-F10
4		Standard bowl O-ring	C104-F9	C238-F4
5		Protection body without holes	MC104-F80	MC238-F80



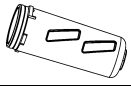

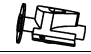
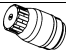


SEAL KITS

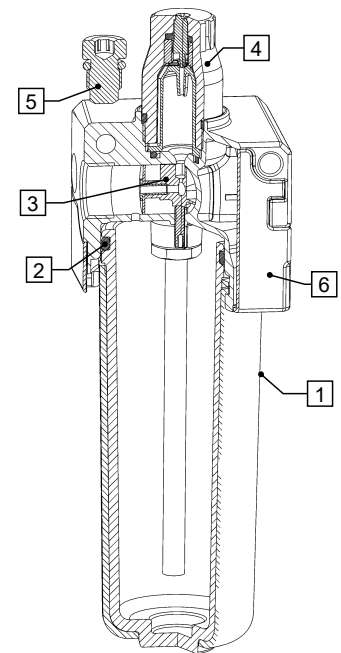
Spare Parts REGULATORS Series MC

Pos.	Disegno / Drawing	Descrizione / Description	MC104	MC238 / MC202
1		Complete bell with regulation screw	MC1-R2	MC2-R25/1
2		Bell fixing screw	C104-R28	C238-R28/1
3		Panel nut	MC104-R22	MC238-R27
4		Spring 1 bar	C104-R16/2	NA
		Spring 2 bar	C104-R16/1	NA
		Spring 4 bar	C104-R16	MC238-R18
		Spring 7 bar	C104-R16/5	NA
5		Complete standard diaphragm	C1-R27	C2-R33
		Complete diaphragm non-relieving	C1-R28	C2-R34
		Complete diaphragm with controlled leak	C1-R27/S	NA
6		Complete standard poppet valve	C1-R32	MC2-R32
7		Complete valve bearing tap	MC1-R3	MC2-R3
8		Rear screw for pressure gauge connection	MC104-R9	MC104-R9
9		Special O-ring seal	C104-F30/1	C104-F30/1
10		Protection body with holes	MC104-D80	MC238-D80



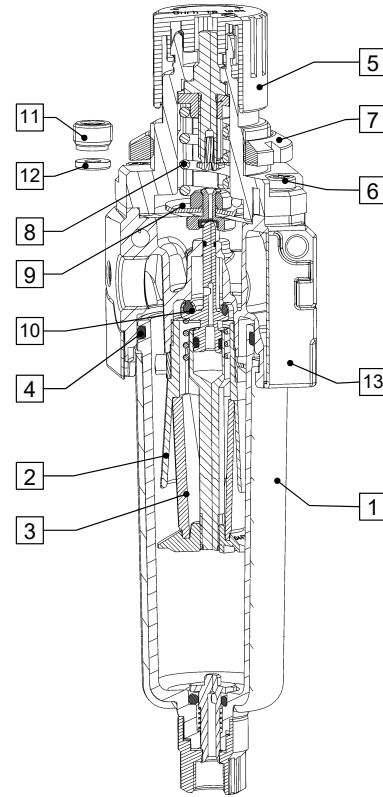
Spare Parts LUBRICATORS Series MC

Pos.	Disegno / Drawing	Descrizione / Description	MC104	MC238	MC202
1		Complete bowl	MC1-L71	MC2-L71	MC2-L71
2		Standard bowl O-ring	C104-F9	C238-F4	C238-F4
3		Complete Venturi system	MC1-L8	NA	NA
		Complete diaphragm	NA	MC2-L6	MC2-L6/1
		"L01" Low Flow diaphragm	NA	C202-L6/1	C202-L6/1
4		Complete lubricator cap	MC1-L24	MC1-L24	MC1-L24
5		Complete oil refilling tap	C1-L34	MC2-L3	MC2-L3
6		Protection body without holes	MC104-F80	MC238-F80	MC238-F80



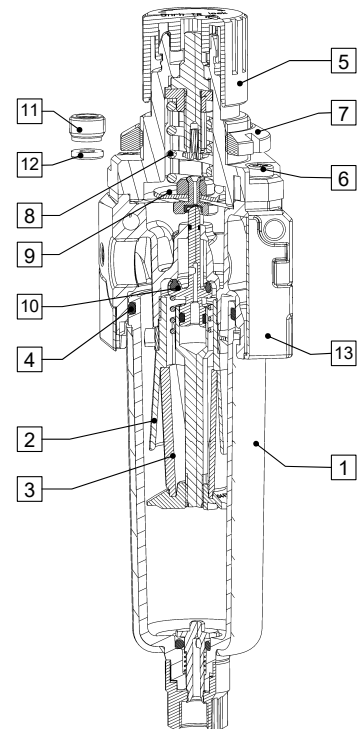
Spare Parts FILTER-REGULATORS Series MC

Pos.	Drawing	Description	MC104	MC238 / MC202
1		Complete bowl with semi-automatic-manual drain	MC-F71	MC2-F71
-		Complete bowl with automatic drain	NA	MC2-F71/3
-		Automatic drain	NA	C238-FSA2
-		Complete bowl with depressure drain	MC1-F71/3	NA
-		Seal for depressurization drain	C104-F76	NA
-		Shutter poppet for depressurization drain	C104-F73	NA
-		Complete bowl with protected depressurization drain	MC1-F71/1	MC2-F71/1
-		Complete bowl with port 1/8 (without drain)	MC1-F71-1/8 (TF)	MC2-F71-1/8 (TF)
2		Complete filtering element 25µ	C1-F20/3	C2-F11/3
		Complete filtering element 5µ	C1-F21/3	C2-F12/3
3		Filtering element 25µ	C104-F20/3	C238-F11/3
		Filtering element 5µ	C104-F21/3	C238-F12/3
4		Standard bowl O-ring	C104-F9	C238-F4
5		Complete bell with regulation screw	MC1-R2	MC2-R25/1








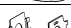


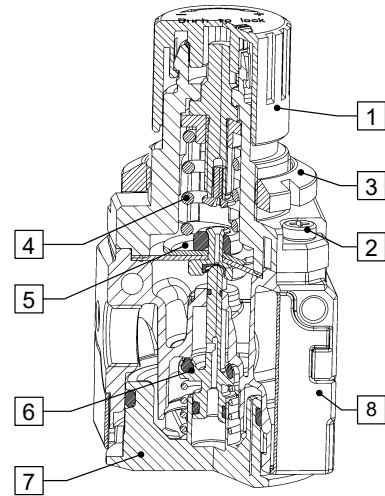
Spare Parts FILTER-REGULATORS Series MC cont.

Pos.	Drawing	Description	MC104	MC238 / MC202
6		Bell fixing screw	C104-R28	C238-R28/1
7		Panel nut	MC104-R22	MC238-R27
8		Spring 1 bar	C104-R16/2	NA
		Spring 2 bar	C104-R16/1	NA
		Spring 4 bar	C104-R16	MC238-R18
		Spring 7 bar	C104-R16/5	NA
9		Complete standard diaphragm	C1-R27	C2-R33
		Complete diaphragm non-relieving	C1-R28	C2-R34
		Complete diaphragm with controlled leak	C1-R27/S	NA
10		Complete standard poppet valve	C1-R32	MC2-R32
11		Rear screw for pressure gauge connection	MC104-R9	MC104-R9
12		Special O-ring seal	C104-F30/1	C104-F30/1
13		Protection body with holes	MC104-D80	MC238-D80



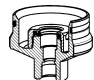





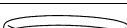
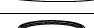

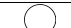

Spare Parts MANIFOLD REGULATORS Series MC

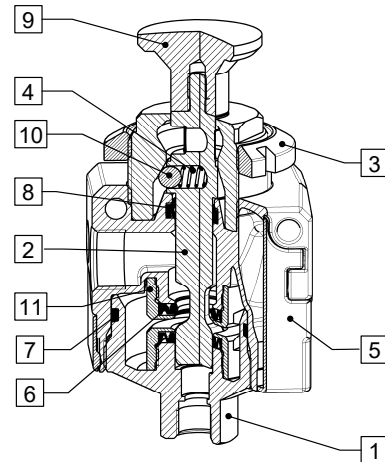
Pos.	Drawing	Description	MC104
1		Complete bell with regulation screw	MC1-R2
2		Bell fixing screw	C104-R28
3		Panel nut	MC104-R22
4		Spring 1 bar	C104-R16/2
		Spring 2 bar	C104-R16/1
		Spring 4 bar	C104-R16
		Spring 7 bar	C104-R16/5
		Spring 10 bar	C104-R17
5		Complete standard diaphragm	C1-R27
		Complete diaphragm non-relieving	C1-R28
		Complete diaphragm with controlled leak	C1-R27/S
6		Complete standard poppet valve	C1-R32
7		Complete valve bearing tap	MC1-R3
8		Protection body with holes	MC104-M80





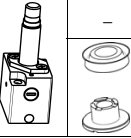






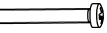



SPARE PARTS AND SEAL KITS

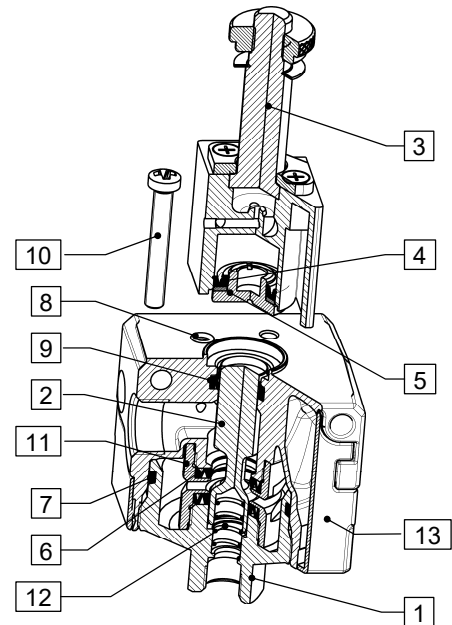
Spare Parts MANUAL LOCK-OUT VALVES Series MC

Pos.	Drawing	Description	MC104	MC238 / MC202
1		Complete valve bearing end-cover	MC1-V3/1 (TF)	MC2-V3/1 (TF)
2		Standard valve spool	MC104-V7/1-SPE01	MC238-V7/1-SPE02
3		Panel nut	MC104-R22	MC104-R22
4		Valve spring	MC104-V6/1	MC238-V6/1
5		Protection body without holes	MC104-F80	MC238-F80
6		Spool lip-seal 'airzet' seal	454-33/8	452-33/8
7		Standard valve bearing tap O-Ring	OR 32X2	C238-F4
8		Polyurethane piston rod screw	20-31/3	50-31/3
9		Grey Knob	MC104-V10	MC104-V10
10		Stainless steel ball bearing detent	SFERA D. 4,74	SFERA D. 4,74
11		Valve nut	MC104-V4	MC238-V4



Spare Parts ELECTRONIC SHUT-OFF VALVES Series MC

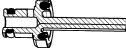




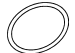


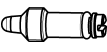
Pos.	Drawing	Description	MC104	MC238 / MC202
1		Complete valve tap	MC1-V3/1 (TF)	MC2-V3/1 (TF)
2		Standard valve spool	MC104-V7	MC238-V7
3		Air-pilot end-cover	308-033/16	454-33/28
		Solenoid end-cover	338-015/4C	454-011/15C
4		DE pilot lip-seal	-	454-33/6
5		Pilot piston	-	454-33/23
6		Spool lip-seal 'airzet' Seal	454-33/8	454-33/8
7		Valve tap standard O-Ring	OR 32X2	C238-F4
8		Pilot end-cover seal	308-011/5	-
		Pilot end-cover seal	-	454-33/7
9		Polyurethane piston rod screw	20-31/3	50-31/3
10		Pilot end-cover assembly screw	308-015/22	308-015/22
11		Valve Nut	MC104-V4	MC104-V4
12		Valve spring	MX2-V10	MX2-V10
13		Protection body without holes	MC104-F80	MC238-F80

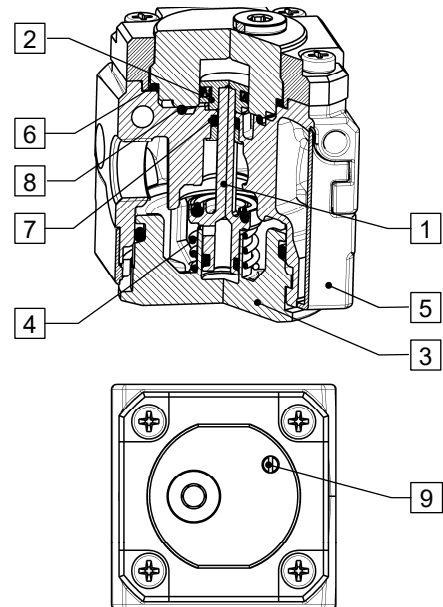


9

SPARE PARTS AND SEAL KITS

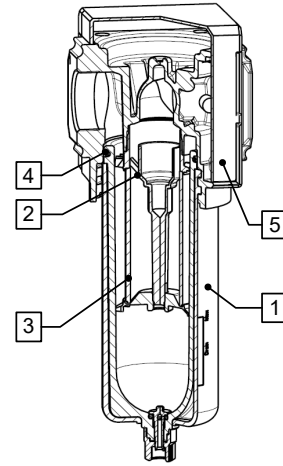
Spare Parts SOFT-START VALVES Series MC

Pos.	Drawing	Description	MC104	MC238 / MC202
1		Complete Poppet Valve	MC1-AV7	MC2-AV7
2		Complete Piston	MC1-AV5	MC2-AV5
3		Complete Valve bearing end-cover	MC1-R3	MC2-R3
4		Poppet Spring	C104-R5	C238-R6
5		Protection body cover without holes	MC104-F80	MC238-F80
6		End cover O-Ring	OR 2112 NBR	OR 41X1,78 NBR
7		Poppet O-Ring	6702 4	OR 6,07X1,8 NBR
8		Soft start valve body O-Ring	OR 2068 NBR	OR 2112 NBR
9		Complete Regulation Screw	MC1-AV3	MC2-AV3



Spare Parts FILTERS and COALESCING FILTERS Series MX

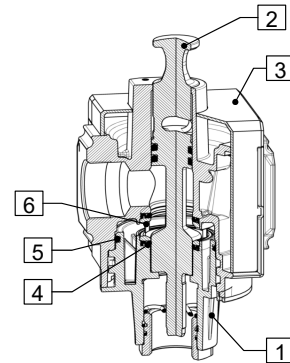
Pos.	Drawing	Description	MX2	MX3
1		Complete bowl with semiautomatic-manual drain	MX2-F2-P	MX3-F2-P
-		Complete bowl with automatic drain	MX2-F2/1-P	MX3-F2/1-P
-		Automatic drain	C238-FSA2	C238-FSA2
-		Complete bowl with depressuration drain	N/A	N/A
-		Seal for depressuration drain	N/A	N/A
-		Shutter for depressuration drain	N/A	N/A
-		Complete bowl with protected depressuration drain	MX2-F2/3-P	N/A
-		Complete bowl with port 1/8, without drain	MX2-F2/2-P	MX3-F2/2-P
2		* Complete filtering element 25µ	C2-F11/3	MX3-F7-P
		* Complete filtering element 5µ	C2-F12/3	MX3-F8-P
3		* Filtering element 25µ	C238-F11/3	MX3-F7
		* Filtering element 5µ	C238-F12/3	MX3-F8
-		** Filtering element 0,01µ	MX2-F10	MX3-F10
		*** Filtering element 1µ	MX2-F9	MX3-F9
		*** Active carbon filt. Elem.	MX2-F11	MX3-F11
4		Standard bowl O-ring	OR 3193 NBR	OR 3212 NBR
5		Protection body without holes	MX2-F4	MX3-F4



* = for filter only
 ** = for coalescing-filter only
 *** = for active carbon filter only

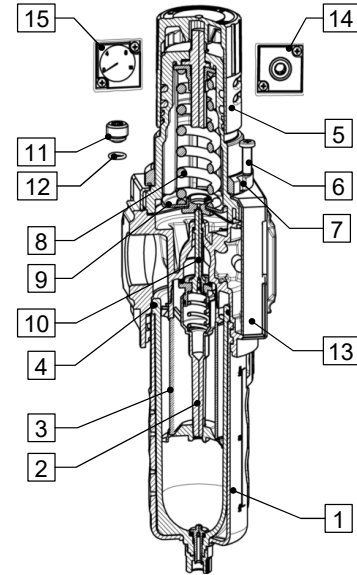
Spare Parts MANUAL LOCK-OUT VALVES Series MX

Pos.	Drawing	Description	MX2	MX3
1		GAS ISO-228	MX2-V3-P	MX3-V3/2-P
		NPTF	MX2-V3-P-TF	MX3-V3/2-P-TF
2		Complete spool	MX2-V8-P	MX3-V8-P
3		Protection body without holes	MX2-B4	MX3-V4
4		Spool lip seal "Z" profile seal	452-33/8	MX3-V7
5		Standard valve end cover O-Ring	OR 3193 NBR	OR 3212 NBR
6		Valve spacer	MX2-V6	MX3-V6



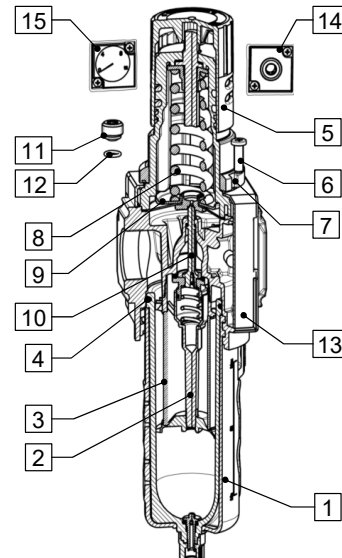
Spare Parts FILTER-REGULATORS Series MX

Pos.	Drawing	Description	MX2	MX3
1		Complete bowl with semiautomatic-manual drain	MX2-F2-P	MX3-F2-P
-		Complete bowl with automatic drain	MX2-F2/1-P	C238-FSA2
-		Automatic drain	C238-FSA2	C238-FSA2
-		Complete bowl with depressurization drain	NA	NA
-		Seal for depressurization drain	NA	NA
-		Shutter poppet for depressurization drain	NA	NA
-		Complete bowl with filter protected depressurization drain	MX2-F2/3-P	NA
-		Complete bowl with port 1/8 (without drain)	MX2-F2/2-P	MX3-F2/2-P
2		Complete filtering element 25µ	C2-F11/3	MX3-F7-P
		Complete filtering element 5µ	C2-F12/3	MX3-F8-P
3		Filtering element 25µ	C238-F11/3	MX3-F7
		Filtering element 5µ	C238-F12/3	MX3-F8
4		Standard bowl O-ring	OR 3193 NBR	OR 3212 NBR
5		Complete bell with regulation screw	MX2-R2-P	MX3-R2-P














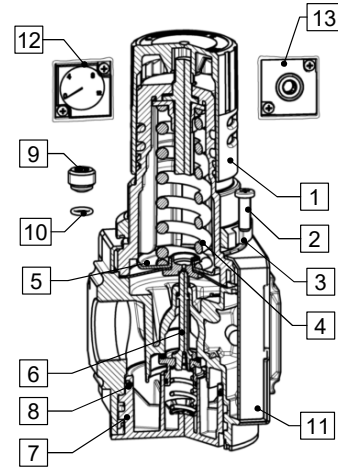
Spare Parts FILTER-REGULATORS Series MX

Pos.	Drawing	Description	MX2	MX3
6		Bell fixing screw	C238-R28/1	MX3-R28
7		Panel nut	MC238-R27	MX3-R6
8		Spring 1 bar	NA	NA
		Spring 2 bar	NA	NA
		Spring 4 bar	MX2-R16	MX3-R16
		Spring 7 bar	MX2-R16/1	NA
9		Complete standard diaphragm	MX2-R10-P	MX3-R10-P
		Complete diaphragm non-relieving	MX2-R10/1-P	MX3-R10/1-P
		Complete diaphragm with controlled leak	NA	NA
10		Complete standard poppet valve	MX2-R7/1-P	MX3-R7/1-P
11		Rear screw for pressure gauge connection	MC104-R9	MX3-R27
12		O-ring seal	C104-F30/1	558-33/2
13		Protection body with holes	MX2-R4	MX3-R4
14		Complete Block with plug	MX2-R26/1-P	MX3-R26/1-P
		Threaded block without plug	MX2-R26/2-P	MX3-R26/2-P
15		Complete 0-12 pressure gauge	MX3-R30-P	MX3-R30-P
		Complete 0-6 pressure gauge	MX3-R31-P	MX3-R31-P
		Complete 0-10 pressure gauge	MX3-R32-P	NA





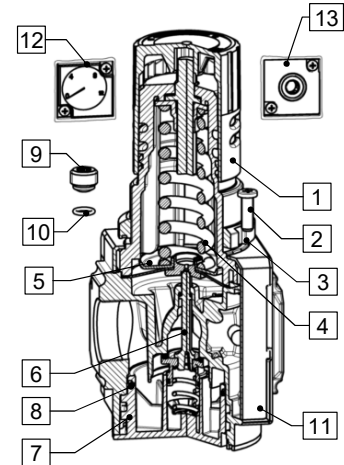
Spare Parts REGULATORS Series MX

Pos.	Drawing	Description	MX2	MX3
1		Complete bell with regulation screw	MX2-R2-P	MX3-R2-P
2		Bell fixing screw	C238-R28/1	MX3-R28
3		Panel nut	MC238-R27	MX3-R6
4		Spring 1 bar	NA	NA
		Spring 2 bar	NA	NA
		Spring 4 bar	MX2-R16	MX3-R16
		Spring 7 bar	MX2-R16/1	NA
5		Complete standard diaphragm	MX2-R10-P	MX3-R10-P
		Complete diaphragm non-relieving	MX2-R10/1-P	MX3-R10/1-P
		Complete diaphragm with controlled leak	NA	NA
6		Complete standard poppet valve	MX2-R7/1-P	MX3-R7/1-P
7		Complete valve bearing tap	MX2-R3-P	MX3-R3-P
8		Standard bowl O-Ring	OR 3193 NBR	OR 3212 NBR
9		Rear screw for pressure gauge connection	MC104-R9	MX3-R27
10		O-ring seal	C104-F30/1	558-33/2
11		Protection body with holes	MX2-R4	MX3-R4

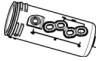







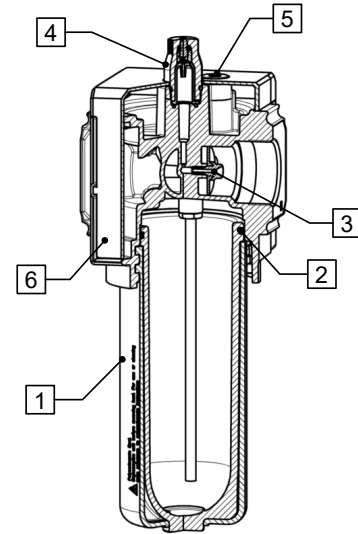
Spare Parts REGULATORS Series MX

12		Complete 0-12 pression gauge	MX3-R30-P	MX3-R30-P
		Complete 0-6 pression gauge	MX3-R31-P	MX3-R31-P
		Complete 0-10 pression gauge	MX3-R32-P	NA
13		Complete threaded block with plug	MX2-R26/1-P	MX3-R26/1-P
		Threaded block without plug	MX2-R26/2-P	MX3-R26/2-P



Spare Parts LUBRICATORS Series MX



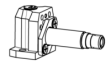




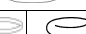



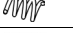

Pos.	Drawing	Description	MX2	MX3
1		Complete bowl	MX2-L2-P	MX3-L2-P
2		Standard bowl O-ring	OR 3193 NBR	OR 3212 NBR
3		Complete diaphragm	C202-L6	MX3-L5-P
4		Complete lubricator cap	MC1-L24	MC1-L24
5		Complete oil refilling tap	MC2-L3	MC2-L3
6		Protection body without holes	MX2-L4	MX2-L4

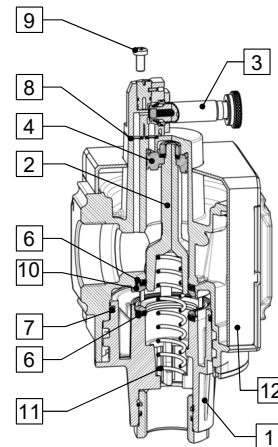


9






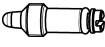
SPARE PARTS AND SEAL KITS

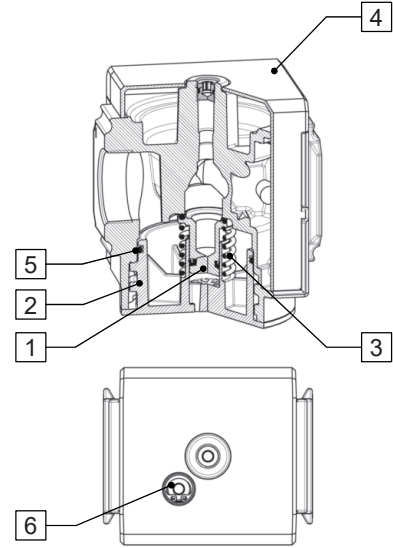
Spare Parts ELECTRONIC SHUT-OFF VALVES Series MX

Pos.	Drawing	Description	MX2	MX3
1		GAS ISO-228	MX2-V3-P	MX3V3-P
		NPTF	MX2-V3-P-TF	MX3-V3-P-TF
2		V16 valve spool	MX2-V5	MX3-V5-P
3		Solenoid pilot End cover (Only for electropneumatic)	454-011/15C	A531-BC2-111C
		 Air-Pilot End cover	454-33/28	MX3-V12
4		Piston	454-33/6	25-31/2R
5		Piston DE lip seal	454-33/6	NA
6		Spool lip seal "Z" profile Seal	452-33/8	MX3-V7
7		Valve end cover standard O-Ring	OR 3193NBR	OR 3212 NBR
8		Pilot seal	454-33/7	600-400/5
9		Pilot assembly screw	C104-R28	458-33/9
10		Valve Spacer	MX2-V6	MX3-V6
11		Valve spring	MC238-V16	MX3-V10
12		Protection body without holes	MX2-V4	MX3-V4



Spare Parts SOFT-START VALVES Series MX

Pos.	Drawing	Description	MX2	MX3
1		Complete Poppet Valve	MX2-AV2-P	MX3-AV2-P
2		Complete Valve bearing end cover	MX2-AV3-P	MX3-AV3-P
3		Soft start valve spring	MX2-AV5	MX3-AV5
4		Protection body cover without holes	MX2-L4	MX3-L4
5		Soft Start end cover O-Ring	OR 3193 NBR	OR 3212 NBR
6		Complete Regulation Screw	MX2-AV6-P	MX3-AV6-P



Spare Parts REGULATORS Series T

Pos.	Description	Parent Reference Part Number	Spare Part Number
1	Bell		T108-R2
2	Spring Guide		T1-R19
3	Upper Spring (7.25 - 145 psi)	T104-RQX	T108-R17
	Upper Spring (0 - 29 psi)	T104-R2X	T108-R16/1
	Upper Spring (0 - 58 psi)	T104-R1X	T108-R16
	Upper Spring (7.25 - 101 psi)	T104-RZX	T108-R16/2
4	Relieving Piston		T108-R26
5	Ring Seal		25-QN1/3P
6	Valve Guide		T108-D2
7	O-ring		OR 2093-NBR
8	O-ring		OR 11X2 NBR
9	Poppet Seal		T108-R7
10	Lower Spring		T108-R6
11	Regulator Body NPTF 1/8"	T108-RXXTE	T108-R1-NPTF
	Regulator Body NPTF 1/4"	T104-RXXTE	T104-R1-NPTF
	Regulator Body BSP 1/8"	T108-RXX	T108-R1
	Regulator Body BSP 1/4"	T104-RXX	T104-R1
12	Bell Housing		MC104-R24
13	Panel Mounting Nut		MC104-R22
14	O-ring		C104-F30/1
15	Rear Dowel		MC104-R9

