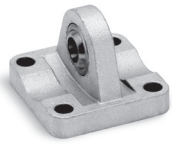


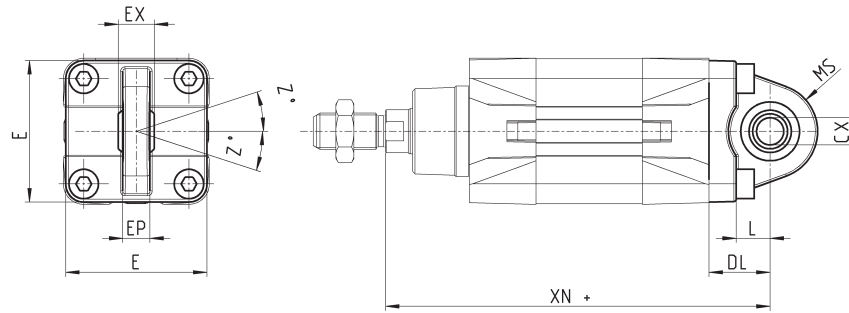
### Trunnion ball-joint Mod. R\*

\* This trunnion doesn't comply with the ISO 15552 standard  
Material: Aluminium



Supplied with:  
1x trunnion ball joint  
4x screws

+ = add the stroke



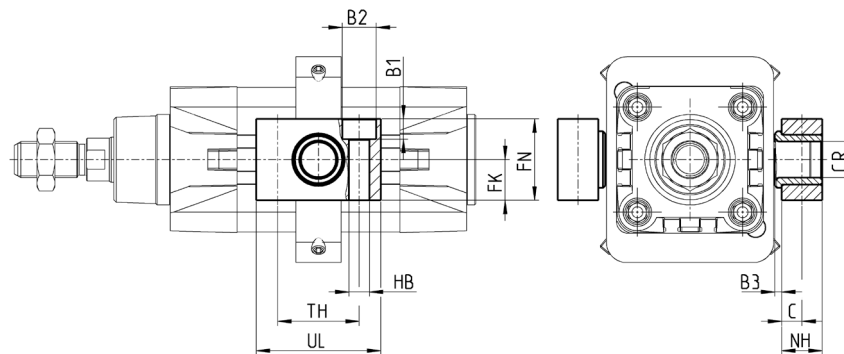
Mod.	∅	∅CX	L	DL	XN+	MS	E	EX	EP	Z	torque force
R-41-32	32	10	12	22	142	18	45	14	10.5	4	6 Nm
R-41-40	40	12	15	25	160	18	53.5	16	12	4	6 Nm
R-41-50	50	12 *	15	27	170	21	62.5	16 *	12 *	4	13 Nm
R-41-63	63	16	20	32	190	23	73	21	15	4	13 Nm
R-41-80	80	16 *	24	36	210	28	92	21 *	15 *	4	19 Nm
R-41-100	100	20	29	41	230	30	108.5	25	18	4	22 Nm
R-41-125	125	30	30	50	275	40	140	37	25	4	26 Nm

### Counter bracket for centre trunnion Mod. BF

Material: Aluminium



Supplied with:  
2x supports



Mod.	∅	∅CR	NH	C	B3	TH	UL	FK	FN	B1	B2	HB
BF-32	32	12	15	7,5	3	32	46	15	30	6,8	11	6,6
BF-40-50	40 - 50	16	18	9	3	36	55	18	36	9	15	9
BF-63-80	63 - 80	20	20	10	3	42	65	20	40	11	18	11
BF-100-125	100 - 125	25	25	12,5	3,5	50	75	25	50	13	20	14