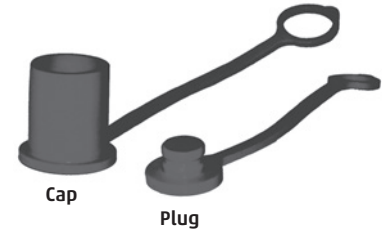


Dust Caps for ISO B

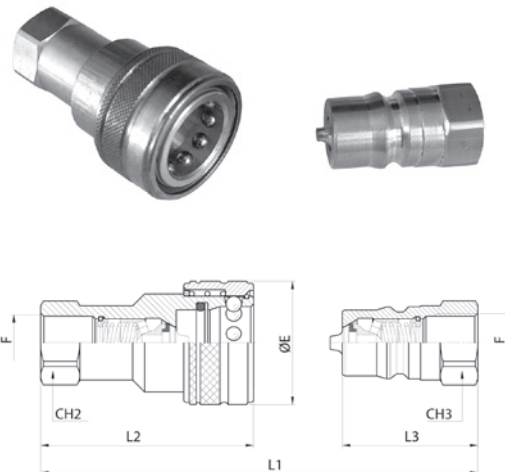
Application: Quick release couplings of the "Push-Pull" series are designed for use in all agricultural applications. The main characteristic of this coupling is to allow an automatic release in case of accidental pulls. This system avoids possible damage to the hydraulic circuit.

Body Size	Colour	Material	Female Dust Plug		Male Dust Cap	
1/8	Red	PVC*	SPBV.04002	✓	SPBV.04003	✓
1/4	Red	PVC*	SPBV.06002	✓	SPBV.06003	✓
3/8	Red	PVC*	SPBV.10002	✓	SPBV.10003	✓
1/2	Red	PVC*	SPBV.13002	✓	SPBV.13003	✓
3/4	Red	PVC*	SPBV.20002	✓	SPBV.20003	✓
1	Red	PVC*	SPBV.25002	✓	SPBV.25003	✓
1 1/2	-	Aluminium	SPBV.39002	✓	SPBV.39003	✓
2	-	Aluminium	SPBV.50002	✓	SPBV.50003	✓

* Also available in Aluminium



PBVM Brass - Hydraulic Quick Release Couplings



- ✓ Ex Stock
- 🔧 UK Assembly
- 📞 Please Call Sales Office

Nominal Size	ISO	mm	Max Working Pressure (bar)	Rated Flow (l/min)	Max Flow Rate (l/min)	Min. Burst Pressure			Fluid Spillage (CC)
						Male (bar)	Female (bar)	Coupled (bar)	
5	4.2	300	3	9	1200	1900	1500	0.5	
6.3	6.5	200	12	24	800	800	1200	1	
10	8.5	200	23	46	800	850	950	2.4	
12.5	10.5	180	45	90	720	900	1000	3.9	
20	15.8	130	106	220	550	650	800	11	
25	17.3	130	189	260	550	700	600	19	
40	36	60	379	757	250	250	250	95	
50	50	50	757	1000	200	200	200	170	

ISO B Norm

Technical Data

Threads

BSP

NPT available on request

Material

Main parts in brass. Springs in AISI 302 and balls in AISI 316

Seals: Standards are in FPM (Viton™).

Other seals provided on request

Back-up Ring: In pure Teflon

Operating Temperature

NBR standard seals -25°C to +200°C

Special Requests

For assistance, contact our technical office or your local Camozzi distributor.



See above for Dust Caps

F	ISO	CH2	CH3	ØE	L1	L2	L3	Standard	Carrier Half Part Number		Probe Half Part Number	
BSP 1/8	5	17	14	23	64.1	50.6	32	DIN 3852-2-X	PBVM.0404.002	✓	PBVM.0404.003	✓
BSP 1/4	6.3	19	19	28	76.5	60	38	DIN 3852-2-X	PBVM.0606.002	✓	PBVM.0606.003	✓
BSP 3/8	10	22	22	35	81.5	67.2	42.5	DIN 3852-2-X	PBVM.1010.002	✓	PBVM.1010.003	✓
BSP 1/2	12.5	27	27	44	96.5	75.7	48	DIN 3852-2-X	PBVM.1313.002	✓	PBVM.1313.003	✓
BSP 3/4	20	34	34	52	114.5	91.5	57	DIN 3852-2-X	PBVM.2019.002	✓	PBVM.2019.003	✓
BSP 1	25	41	41	60	132	105.8	65.5	DIN 3852-2-X	PBVM.2525.002	✓	PBVM.2525.003	✓
BSP 1 1/4	40	65	65	78.5	201.5	126.5	127	DIN 3852-2-X	PBVM.3931.002	⊗	PBVM.3931.003	⊗
BSP 1 1/2	40	65	65	78.5	201.5	126.5	127	DIN 3852-2-X	PBVM.3939.002	⊗	PBVM.3939.003	⊗
BSP 2	50	90	90	105	221	142	142.5	DIN 3852-2-X	PBVM.5051.002	⊗	PBVM.5051.003	⊗