

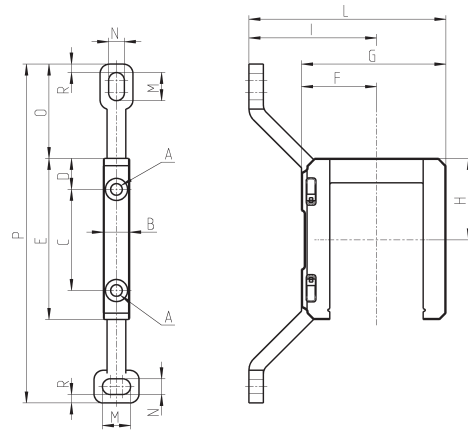
### Rapid clamp kit with wall fixing brackets - size 3



The kit MX3-Y is supplied with:  
 1 wall rapid clamp, 1 O-ring 38X2,8 \*\*,  
 2 square nuts M6, 2 screws M6x75

\*\* it can be also separately ordered (OR 38X2,8 NBR)

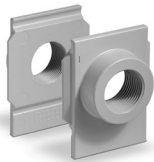
Materials: technopolymer clamp, NBR O-ring, zinc-plated steel nuts and screws.



Mod.	A	B	C	D	E	F	G	H	I	L	M	N	O	P	R
MX3-Y	6,2	14	54	16,5	86	40	77	43,5	68	105	15	8,4	50,5	181	4,5

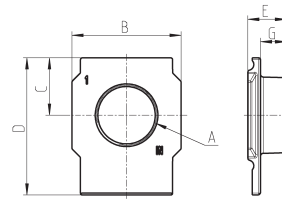
See the positioning scheme in the section "Series MX assembled FRL"

### Terminal flanges (IN/OUT)



The kit is supplied with:  
 - 1 flange INLET side  
 - 1 flange OUTLET side

Materials: painted aluminium flanges.

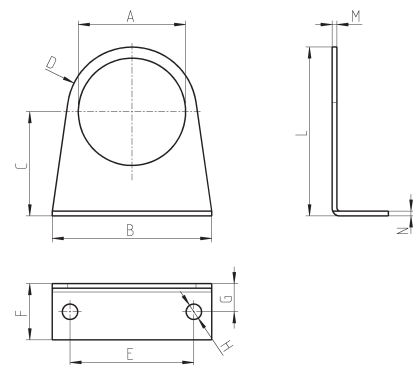


Mod.	A	B	C	D	E	G
MX2-3/8-FL	G3/8	50	26,5	63,5	17	11
MX2-1/2-FL	G1/2	50	26,5	63,5	17	11
MX2-3/4-FL	G3/4	50	26,5	63,5	17	11
MX3-3/4-FL	G3/4	58	30,5	73	20,5	13,5
MX3-1-FL	G1	58	30,5	73	20,5	13,5

### Fixing bracket for regulators



The kit is supplied with 1 zinc-plated steel bracket



Mod.	A	B	C	D	E	F	G	H	L	M	N
MX2-S	∅ 47,2	73	60,5	R29,5	54	25	15	∅ 6,2	90	2,5	2,5
MX3-S	∅ 57,2	85	55,5	R34,5	66	30	15	∅ 8,2	90	2,5	2,5