

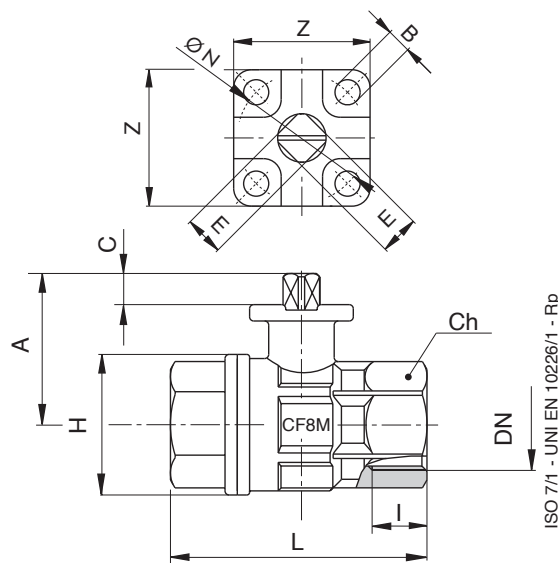
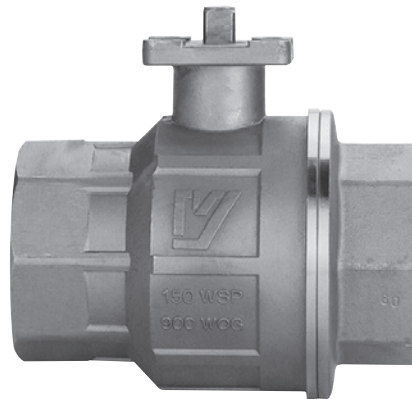
Stainless Steel Ball Valves - with ISO Pad

ATEX

Connections: 1/2, 3/4, 1, 1 1/4, 1 1/2, 2, 3

Full bore stainless steel ball valves with ISO 5211 mounting pad for direct mounting of pneumatic/electric actuators for on-off applications of most non-corrosive media. Body seals energised with Viton 'O' rings.

Part Number: 703000*



ISO 7/1 - UNI EN 10226/1 - Rp

Technical Data**Media**

Any application with media suitable to stainless steel (materials of construction)

Operating Pressure

Nominal working pressure (PN) in BAR - See chart

Operating Temperature

-20°C to +160°C

Flow Rates

Flow rates stated in Kv: Flow coefficient in m³/h at differential pressure of 100kPa

Threads

ISO 7/1 RP

Materials

Body: CF8M

Ball: AISI 316

Seals: PTFE with Viton 'O' Ring

Stem: AISI 316

Size: 1/4 to 2 UNI ISO 7/1

Actuation Details

Refer to chart for torque and pad details

Additional Options

NPTF - Series 700076



Available with spring return (dead mans) lever.



Available with Pneumatic Actuators



Available with Electric Actuators

Special Requests

For assistance, contact our technical office or your local Camozzi distributor.

✓ Ex Stock

🇬🇧 UK Assembly

☎ Please Call Sales Office

Dimensions (mm) and Pressures

	Threads	DN	I	L	H	Ch	A	C	E	ØN	B	Z	Kv	PN	Kg
*04	✓ 1/2	15	15	67	34.5	ES.27	41.5	9	9	36	6	38	19.2	64	0.30
*05	✓ 3/4	20	16.3	78	42	ES.32	43.5	9	9	36	6	38	35	64	0.40
*06	✓ 1	25	19.1	90	51.5	ES.41	53.5	9	9	36	6	38	64.5	64	0.70
*07	✓ 1 1/4	32	21.4	100	64.5	OT.50	57	9	9	36	6	38	103.8	64	1.04
*08	✓ 1 1/2	40	21.4	112	77	OT.55	74	11	11	50	7	50	174	64	1.68
*10	✓ 2	50	25.7	135	97	OT.70	83.3	11	11	50	7	50	301.3	64	2.95
*14	✓ 3	80	33.3	180	145	105	120	17.5	17	70	9	64	872.5	25	9.50