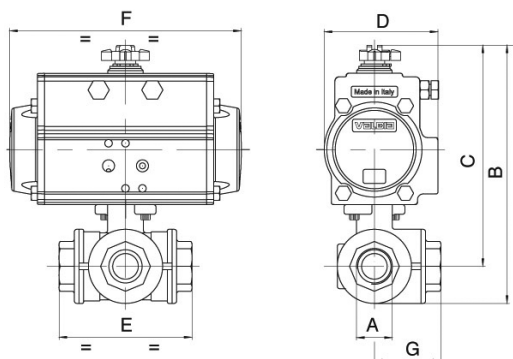
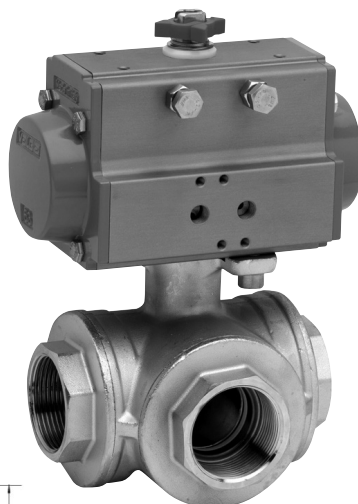


Pneumatically Actuated Three-Way Brass Ball Valves

Full Bore 3-way Brass Ball Valve (Type 3500/3600 page 294) with direct mount pneumatic actuator

Full bore 3-way Brass Ball Valve, Ball bored to T or L with Direct Mount Pneumatic Actuator. NPT thread version also available. Pressure rating up to 30 BAR according to size.

Part Number: 8P008300* (double acting T Ported)
 8P008400* (double acting L Ported)
 8P008500* (single acting T Ported)
 8P008600* (single acting L Ported)



Technical Data

Operating Conditions

Fluid water at +20°C

Media

Most non-corrosive liquids and gases including air, water, solvents, fuels and propane

Operating Pressure

Nominal working pressure (PN) in bar - see chart

Operating Temperature

-20°C to +160°C

Threads

DN - UNI EN 10226-1 Rp

Materials

Body: Brass, nickel plated
 Ball: Brass, chrome plated
 Seals: PTFE with Viton 'O' Ring

Additional Options

Valve with NPTF thread.
 Limit switch boxes for open/closed position indication.
 Actuation fitting conditions.
 Fluid H₂O +20°C Actuation 6 bar.
 NAMUR solenoid valves.

Special Requests

For assistance, contact our technical office or your local Camozzi distributor.



NAMUR solenoid valves



Limit switch box

- ✓ Ex Stock
- 🔧 UK Assembly
- ☎ Please Call Sales Office

Valve Mounted on Double Acting Actuator. Types 8P008300-T 8P008400-L

Dimensions (mm)											
Size	Thread	DN	PN	A	B	C	D	E	F	G	ACT
*02	1/4	8	30	1/4	113	96	45	67	110	34	DA32
*03	3/8	10	30	3/8	113	96	45	67	110	34	DA32
*04	1/2	15	30	1/2	118	98	45	77	110	39	DA32
*05	3/4	20	30	3/4	167	143	71	87	141	44	DA52
*06	1	25	16	1	179	149	71	105	141	53	DA52
*07	1 1/4	32	10	1 1/4	197	161	71	123	141	62	DA52
*08	1 1/2	40	10	1 1/2	230	187	81	139	164	70	DA63
*10	2	50	10	2	272	216	95	166	210	83	DA75

Valve Mounted on Single Acting Actuator. Types 8P008500-T 8P008600-L

Dimensions (mm)											
Size	Thread	DN	PN	A	B	C	D	E	F	G	ACT
*02	1/4	8	30	1/4	149	132	71	67	141	34	SR52
*03	3/8	10	30	3/8	149	132	71	67	141	34	SR52
*04	1/2	15	30	1/2	154	134	71	77	141	39	SR52
*05	3/4	20	30	3/4	179	155	81	87	164	44	SR63
*06	1	25	16	1	190	160	81	105	164	53	SR63
*07	1 1/4	32	10	1 1/4	209	173	81	123	164	62	SR63
*08	1 1/2	40	10	1 1/2	262	219	106	139	241	70	SR85
*10	2	50	10	2	299	243	123	166	275	83	SR100