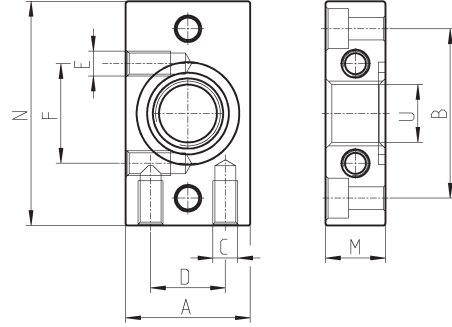


### Terminal flanges (kit A)



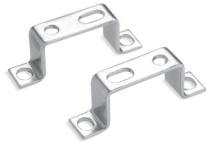
The kit MC104-FL is supplied with: 1x left flange; 1x right flange; 4x screws M4x14; 2x O-Ring 2068.  
Each of the kits MC202-FL and MC238-FL is supplied with: 1x left flange; 1x right flange; 4x screws M5x14; 2x O-Ring 3100.

Materials: painted aluminium flanges, zinc-plated steel screws and NBR O-ring.



DIMENSIONS										
Mod.	A	B	C	D	E	F	N	M	U	size
MC104-FL	25	34	M5	15	M5	20	45	12	G1/4	1
MC238-FL	35	44,5	M5	20	-	-	60	14	G3/8	2
MC202-FL	35	44,5	M5	20	-	-	60	14	G1/2	2

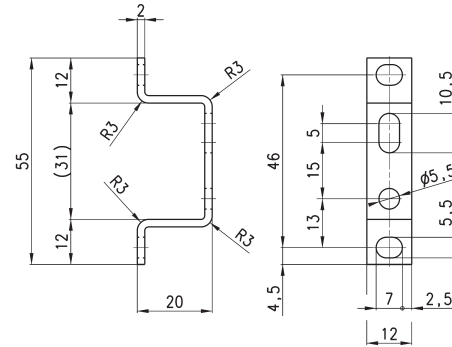
### Mounting bracket for (kit B)



Mounting bracket for terminals 1/4, 3/8, 1/2.

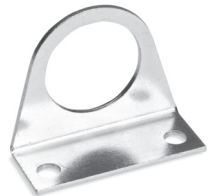
The kit MC104-ST is supplied with:  
- 2x terminal brackets  
- 4x screws M5x10

Materials: zinc-plated steel brackets and screws.



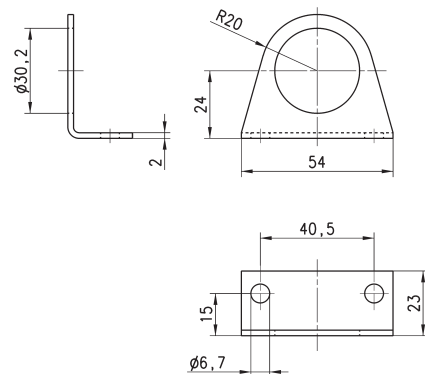
DIMENSIONS
Mod.
MC104-ST

### Mounting bracket Mod. C114-ST



For regulators and filter-regulators (G1/4 - G1/8)

The kit is supplied with:  
1x zinc-plated steel bracket.



Mod.
C114-ST