

Series M pressure microregulators

Ports G1/8, G1/4



- » Versions with calibrated or blocked regulators are available
- » Versions with certified diaphragms and seals materials are available on request

Series M pressure regulator is available with G1/8 and G1/4 ports. Its design incorporates a diaphragm and relieving so as to allow decremental adjustments as well.

Microregulators are available with different regulation types: non-relieving, very sensitive self-relieving (through a light air leak) and VS (valve with fast draining).

The VS version is used when a regulator should be inserted between the valve and cylinder, or capacity, without any negative influence on the exhaust.

GENERAL DATA

Construction	diaphragm type
Materials	brass body, stainless steel spring, NBR O-ring
Ports	G1/8 - G1/4
Weight	Kg 0.235
Pressure gauge ports	G1/8
Mounting	in-line or panel mounting (in any position)
Operating temperature	-5°C ÷ 50°C (with the dew point of the fluid lower than 2°C at the min. working temperature)
Inlet pressure	0 ÷ 16 bar
Outlet pressure	0.5 ÷ 10 bar (standard) 0 ÷ 2 bar 0 ÷ 4 bar 0.5 ÷ 7 bar
Nominal flow	see FLOW DIAGRAMS on the following pages
Secondary pressure relieving	with relieving (standard) without relieving
Fluid	compressed air

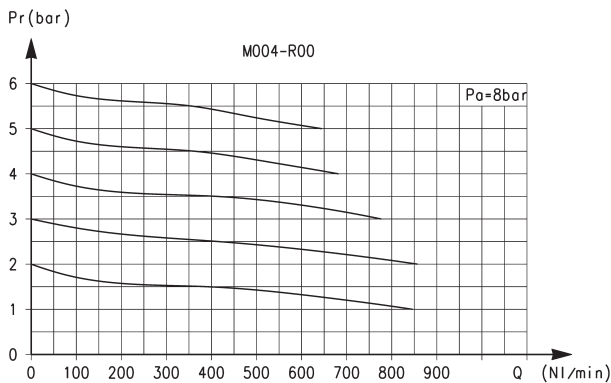
CODING EXAMPLE

M | **0** | **04** | **-** | **R** | **T** | **0** | **2** | **-** | **VS** | **-** | **■** | **-** | **●**

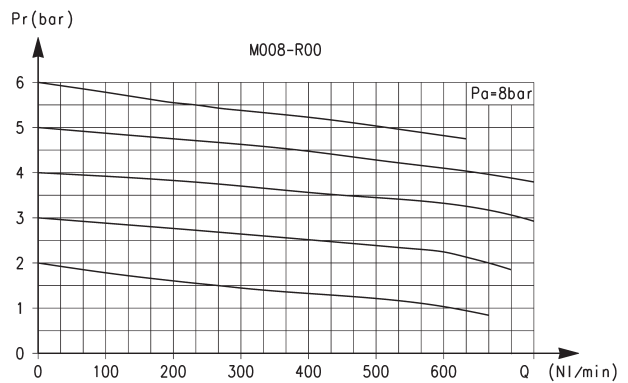
M	SERIES	
0	SIZE	
04	PORTS: 08 = G1/8 04 = G1/4	
R	REGULATOR	
T	OPERATING PRESSURE: 0 = 0.5 ÷ 10 bar (standard) 1 = 0 ÷ 4 bar 2 = 0 ÷ 2 bar 7 = 0.5 ÷ 7 bar T = calibrated * B = locked *	
0	DESIGN TYPE: 0 = self relieving 1 = non relieving 5 = precise setting	
2	PRESSURE GAUGE = without pressure gauge (standard) 1 = with pressure gauge 0-2.5 with working pressure 0÷2 bar 2 = with pressure gauge 0-6 with working pressure 0÷4 bar 3 = with pressure gauge 0-10 with working pressure 0,5÷7 bar 4 = with pressure gauge 0-12 with working pressure 0,5÷10 bar	** the pressure gauges are supplied disassembly mod. M043-P..
VS	REGULATION TYPE: = without high relief flow (standard) VS = high relief flow	
<p>* NOTE: IF THE REGULATOR IS CALIBRATED OR LOCKED, AFTER THE REGULATION TYPE ADD THE INLET PRESSURE "■" AND THE OUTLET PRESSURE "●"</p> <p>INLET PRESSURE: ■ = enter the SUPPLY pressure value</p> <p>OUTLET PRESSURE: ● = enter the OUTLET pressure value for the LOCKED regulator or the maximum value of the ADJUSTABLE pressure for the CALIBRATED regulator</p> <p>Example of a calibrated regulator with Inlet Pressure = 6.3 bar and Outlet Pressure = 4.5 bar Complete part number: M04-RT0-6.3-4.5</p>		

SERIES M PRESSURE MICROREGULATORS

FLOW DIAGRAMS

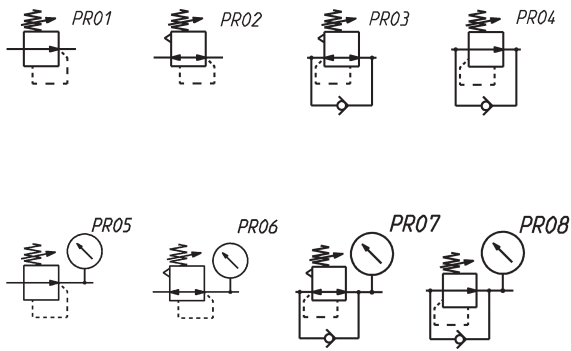


Flow diagram for models: M004-R00
Pa = Inlet pressure (bar)
Pr = Regulated pressure (bar)
Qn = Flow (NL/min)



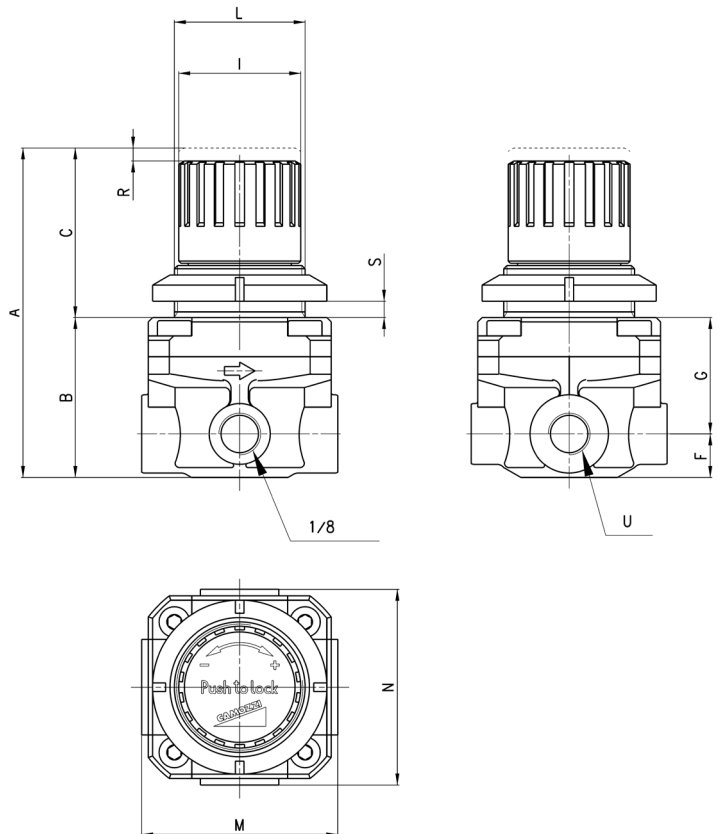
Flow diagram for models: M008-R00
Pa = Inlet pressure (bar)
Pr = Regulated pressure (bar)
Qn = Flow (NL/min)

PNEUMATIC SYMBOLS



- PR01 = reg. without relieving
- PR02 = reg. with relieving
- PR03 = reg. with relieving and by-pass valve
- PR04 = reg. without relieving with by-pass valve
- PR05 = reg. without relieving with pressure gauge
- PR06 = reg. with relieving and pressure gauge
- PR07 = reg. with relieving, by-pass valve and pressure gauge
- PR08 = reg. without relieving with by-pass valve and pressure gauge

Series M pressure microregulator



DIMENSIONS												
Mod.	A	B	C	F	G	I	L	M	N	R	S	U
M008-R00	76	37	39	10	27	28	M30x1,5	45	45	3	0 ÷ 6	G1/8
M004-R00	76	37	39	10	27	28	M30x1,5	45	45	3	0 ÷ 6	G1/4