

Series QN short-stroke cylinders

Single-acting, non magnetic
 ø 8, 12, 20, 32, 50, 63 mm



Series QN single-acting short-stroke cylinders have been designed so that they can be installed in very small spaces. Due to the compactness and sturdiness of these cylinders, they are mainly suitable for positioning and locking.

The available strokes are indicated in the tables.

GENERAL DATA

Type of construction	compact
Operation	single-acting
Materials	aluminium body - NBR seals - other materials in stainless steel and brass
Operating pressure	P. min 2 bar P. max 10 bar
Operating temperature	0°C ÷ 80°C (with dry air - 20°C)
Fluid	clean air, without lubrication. If lubricated air is used, it is recommended to use oil ISO VG32. Once applied the lubrication should never be interrupted.
Bore	ø 8, 12, 20, 32, 50, 63
Stroke	see table
Type of mounting	by means of screws in the body

STANDARD STROKES FOR CYLINDERS SERIES QN

SERIES QN CYLINDERS

STANDARD STROKES				
∅	4	5	10	25
8	x			
12	x		x	
20	x		x	
32		x	x	x
50			x	x
63			x	x

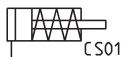
CODING EXAMPLE

QN	1	A	50	A	25
-----------	----------	----------	-----------	----------	-----------

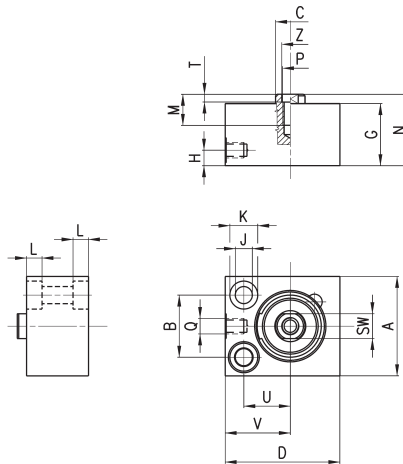
QN	SERIES	
1	OPERATING 1 = single-acting	PNEUMATIC SYMBOL CS01
A	MATERIALS A = rolled stainless steel rod - aluminium body	
50	BORE 08 = 8 mm 12 = 12 mm 20 = 20 mm 32 = 32 mm 50 = 50 mm 63 = 63 mm	
A	TYPE OF DESIGN A = standard	
25	STROKE (see the table)	

PNEUMATIC SYMBOLS

The pneumatic symbols which have been indicated in the CODING EXAMPLE are shown below.

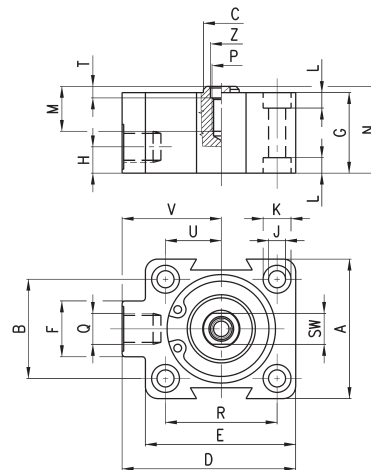


Short-stroke cylinders Series QN - bores \varnothing 8, 12 and 20



DIMENSIONS																				
Mod.	\varnothing	A ^{h8}	B	\varnothing C	D	G	H	\varnothing J	\varnothing K	L	M	N	P	Q ^{H13}	SW	T ^{+0,1}	U	V	Z ^{+0,10}	
QN1A08A04	8	18	11	4	20	16	5	3,2	5,8	3	-	17	-	M5	-	-	8	13,5	-	
QN1A12A04	12	20	13	5	25	16	5	3,2	5,8	3	-	17	-	M5	-	-	9	16	-	
QN1A12A10	12	20	13	5	25	26	5	3,2	5,8	3	-	30	-	M5	-	-	9	16	-	
QN1A20A04	20	32	20	10	37	20	5	5,5	9	5	8	21	M5	M5	8	2,5	15	21	5,5	
QN1A20A10	20	32	20	10	37	32	5	5,5	9	5	8	33	M5	M5	8	2,5	15	21	5,5	

Short-stroke cylinders Series QN - bores \varnothing 32, 50 and 63



DIMENSIONS																						
Mod.	\varnothing	A ^{h8}	B	\varnothing C	D	E	F	G	H	\varnothing J	\varnothing K	L	M	N	P	Q ^{H13}	R	SW	T ^{+0,1}	U	V	Z ^{+0,10}
QN1A32A05	32	45	32	12	56	48,5	18	26	8,5	5,5	9	5	14,5	27	M6	G1\8	36	10	2,5	18	32	7
QN1A32A10	32	45	32	12	56	48,5	18	32	8,5	5,5	9	5	14,5	33	M6	G1\8	36	10	2,5	18	32	7
QN1A32A25	32	45	32	12	56	48,5	18	37,5	8,5	5,5	9	5	14,5	58,5	M6	G1\8	36	10	2,5	18	32	7
QN1A50A10	50	64	50	16	72	64	20	30	8,5	6,5	10,5	6,3	15,5	31	M8	G1\8	50	13	3,5	25	40	8,5
QN1A50A25	50	64	50	16	72	64	20	37,5	8,5	6,5	10,5	6,3	15,5	58,5	M8	G1\8	50	13	3,5	25	40	8,5
QN1A63A10	63	80	62	16	88	80	20	35	8,5	8,5	14	8,5	14,5	36	M8	G1\8	62	13	3,5	31	48	8,5
QN1A63A25	63	80	62	16	88	80	20	40,5	8,5	8,5	14	8,5	14,5	62,5	M8	G1\8	62	13	3,5	31	48	8,5