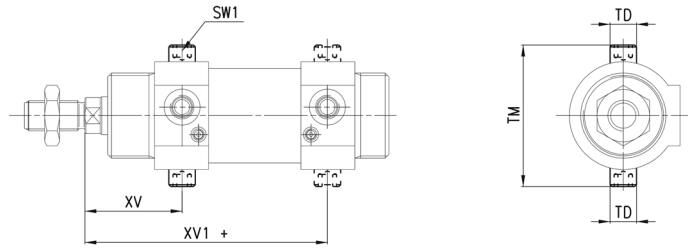


### Bracket with threaded pins Mod. T

Material: stainless steel

Supplied with:  
2x pins

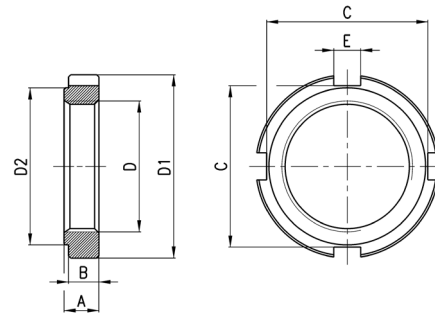


+ = add the stroke

DIMENSIONS						
Mod.	∅	XV	XV1+	TD	TM	SW1
T-42-32	32	36,5	109,5	10	51	5
T-42-40	40	45	120	12	61	6
T-42-50	50	51,5	128,5	14	75	6
T-42-63	63	52	143	16	90	8

### Nose nut Mod.V-42

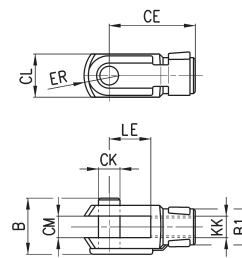
Material: zinc-plated steel



DIMENSIONS								
Mod.	∅	D	D1	D2	A	B	C	E
V-42-32	32	M30X1,5	42	36	8	7	37	6,2
V-42-40	40	M38x1,5	50	48	10	9	44	7,2
V-42-50-63	50-63	M45x1,5	60	56	10	9	53	7,2

### Rod fork end Mod. G

Material: stainless steel  
ISO 8140



DIMENSIONS										
Mod.	∅	∅CK	LE	CM	CL	ER	CE	KK	B	B1
G-25-32	32	10	20	10	20	12	40	M10X1,25	26	18
G-40	40	12	24	12	24	14	48	M12X1,25	32	20
G-50-63	50-63	16	32	16	32	19	64	M16X1,5	40	26