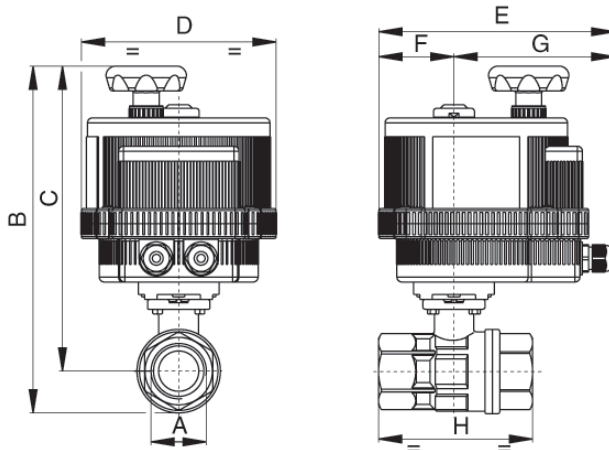


Electrically Actuated Two-Way Brass Ball Valves

2-way full bore ball valve, (type 2500 page 289), threaded F/F with electric actuator, not suitable for use with solvents.

Part Number: 8E014** *



Technical Data

Media

Most non-corrosive liquids and gases including air, water, fuels and propane

Operating Pressure

Nominal working pressure (PN) in bar - see chart

Flow Rates

Flow rates stated in 2500 data sheet

Threads

DN - UNI EN 10226-1 Rp

Materials

Body: Brass, nickel plated
Ball: Brass, chrome plated
Seals: PTFE with Viton and EPDM 'O' Ring

Additional Options

Modulating options:

4 - 20mA or 0 - 10v

Battery Block for safety operation

Modulating complete with Battery Block for safety operation

Special Requests

For assistance, contact our technical office or your local Camozzi distributor.

- ✓ Ex Stock
- 🔧 UK Assembly
- 📞 Please Call Sales Office

Voltage Supply Order Code			
For Mod. VB015	12V AC/DC **001	24V AC/DC **002	100-240V AC **004
For Mod. VB030-350	12V DC **001		

Dimensions (mm)											
Size	Thread	DN	PN	B	C	D	E	F	G	H	Elect. ACT
*02	1/4	8	40	192	175	123	164	43	121	67	VB 015
*03	3/8	10	40	192	175	123	164	43	121	67	VB 015
*04	1/2	15	40	192	175	123	164	43	121	67	VB 015
*05	3/4	20	40	197	177	123	164	43	121	76	VB 015
*06	1	25	40	213	188	123	164	43	121	90	VB 015
*07	1 1/4	32	40	221	191	123	164	43	121	102	VB 015
*08	1 1/2	40	40	289	252	157	191	61	130	114	VB 030
*10	2	50	40	308	262	157	191	61	130	138	VB 030
*12	2 1/2	65	25	360	303	185	215	68	147	165	VB 060
*14	3	80	16	382	314	185	215	68	147	188	VB 060
*18	4	100	16	435	352	211	237	84	153	225	VB 110

See full catalogue or catalogue.camozzi.com for all dimensions.
For technical advice contact our sales office or your local Camozzi distributor.

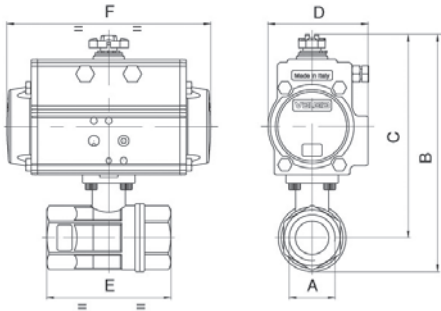
Pneumatically Actuated Two-Way Brass Ball Valves

Full bore 2-way brass ball valve, (type 2500 page 289), with direct mount pneumatic actuator.

Not suitable for use with solvents.

PROCESS VALVES AND ACTUATION

Part Number: 8P007900* - Double Acting
8P008100* - Single Acting



Technical Data

Media

Most non-corrosive liquids and gases including air, water, fuels and propane

Operating Pressure

Nominal working pressure (PN) in bar - see chart

Flow Rates

Flow rates stated in 2500 data sheet

Threads

DN - UNI EN 10226-1 Rp

Materials

Body: Brass, nickel plated
Ball: Brass, chrome plated
Seals: PTFE with Viton and EPDM 'O' Ring

Additional Options

Valve with NPTF thread.
Limit switch boxes for open/closed position indication.
Actuator sizing conditions are based on Water service at 16 Bar g with a minimum air supply pressure of 5.5 Bar

Special Requests

For assistance, contact our technical office or your local Camozzi distributor.

- ✓ Ex Stock
- 🔧 UK Assembly
- ☎ Please Call Sales Office

Valve Mounted on Double Acting Actuator. Types 8P007900

Dimensions (mm)										
Size	Thread	DN	PN	A	B	C	D	E	F	ACT
*02	1/4	8	40	1/4	115	98	45	67	110	DA32
*03	3/8	10	40	3/8	115	98	45	67	110	DA32
*04	1/2	15	40	1/2	115	98	45	67	110	DA32
*05	3/4	20	40	3/4	120	100	45	76	110	DA32
*06	1	25	40	1	135	111	45	90	110	DA32
*07	1 1/4	32	40	1 1/4	144	114	45	102	110	DA32
*08	1 1/2	40	40	1 1/2	203	166	71	114	141	DA52
*10	2	50	40	2	221	175	71	138	141	DA52
*12	2 1/2	65	25	2 1/2	259	202	81	165	164	DA63
*14	3	80	16	3	279	211	81	188	164	DA63
*18	4	100	16	4	345	262	106	225	241	DA85

Valve Mounted on Single Acting Actuator. Types 8P008100

Dimensions (mm)										
Size	Thread	DN	PN	A	B	C	D	E	F	ACT
*02	1/4	8	40	1/4	151	134	71	67	141	SR52
*03	3/8	10	40	3/8	151	134	71	67	141	SR52
*04	1/2	15	40	1/2	151	134	71	67	141	SR52
*05	3/4	20	40	3/4	156	136	71	76	141	SR52
*06	1	25	40	1	172	147	71	90	141	SR52
*07	1 1/4	32	40	1 1/4	180	151	71	102	141	SR52
*08	1 1/2	40	40	1 1/2	214	177	81	114	164	SR63
*10	2	50	40	2	232	186	81	138	164	SR63
*12	2 1/2	65	25	2 1/2	291	234	106	165	241	SR85
*14	3	80	16	3	311	243	106	188	241	SR85
*18	4	100	16	4	358	275	123	225	275	SR100



NAMUR solenoid valves



Limit switch box