

Butterfly Valves - Manual

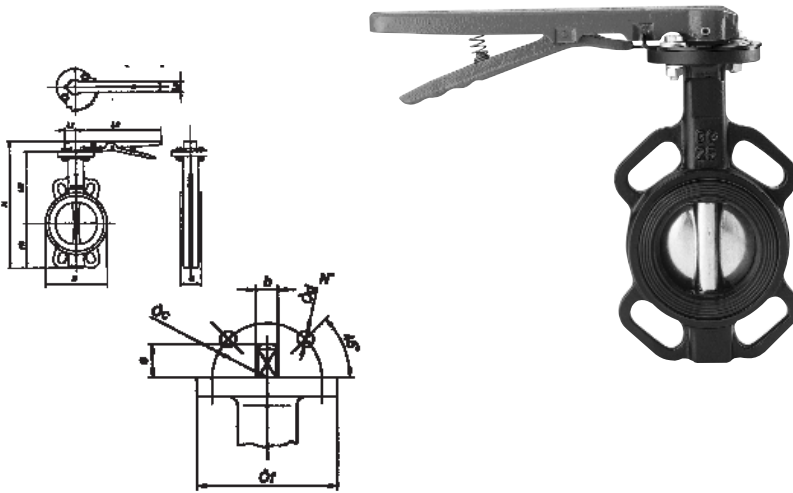
Wafer Types 600104 & 600105

7

PROCESS VALVES & ACTUATION

Wafer Butterfly Valve with Handle and Body made of Cast Iron - PN16 and ANSI 150. The Butterfly Valve series Eurofly Wafer and Lug have been manufactured to meet the industrial applications of water treatment, fire-fighting and plumbing plants. They can be used for all the applications where fluid regulation is required. The Seat construction is made with a rigid plastic ring covered with thick EPDM or Buna or Viton coating, depending on the media. This system offers a soft and reliable closure, a long cycling life and low torque. Due to the seat geometry it is particularly easy to replace.

Part Number: 600104* Cast Iron Disc / EPDM seat
600105* Stainless Steel Disc / EPDM seat



ISO Mounting Dimensions

Dimensions (mm)						
DN	B	C	E	F	D	N°
32	11	50/70	22	90	7/10	4
40	11	50/70	22	90	7/10	4
50	11	50/70	22	90	7/10	4
65	11	50/70	22	90	7/10	4
80	11	50/70	22	90	7/10	4
100	14	70	22	90	10	4
125	14	70	22	90	10	4
150	14	70	22	90	10	4
200	17	102	34.5	150	12	4
250	22	102	34.5	150	12	4
300	27	125	34.5	150	14	4

Dimensions (mm)									
Size	DN	D	H	H1	H2	L1	L2	L3	C
*07	32	75	232	58	141	28	195	28	33 ST/ST Disc only
*08	40	82	235	58	141	28	195	28	33 ST/ST Disc only
*10	50	96	234	63	141	28	260	28	43
*12	65	109	256	72	153	28	260	28	46
*14	80	126	285	94	158	28	260	28	46
*18	100	152	317	108	176	28	260	28	52
*19	125	182	342	120	191	28	260	28	56
*20	150	207	372	136	203	28	260	28	56
*21	200	262	450	165	244	45	350	37	58.5
*77	250	317	518	202	273	45	350	37	66.5
*78	300	373	588	235	311	45	350	37	76.5

Valve design may vary from type shown

Technical Data

Media

Any application with media suitable to materials of construction

Operating Pressure

16 BAR

Operating Temperature

-20°C to +120°C EPDM

Flange Rating

PN16 / ANSI 150

Materials

Body: Cast Iron

Disc: 600105: Stainless Steel
600104: Cast Iron

Stem: AISI 420

Liner: EPDM

Lever: EN GJL 250

Additional Options

Actuated: Pneumatic electric gearbox

NBR Seat

Viton Seat

Special Requests

For assistance, contact our technical office or your local Camozzi distributor.