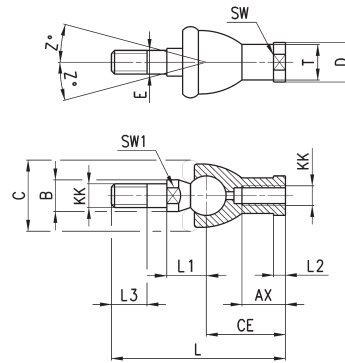


### Piston rod socket joint Mod. GY



ISO 8139  
Material: zama and zinc-plated steel.

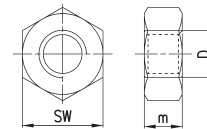


DIMENSIONS																	
Mod.	∅	Z	E	SW	$\varnothing T$	$\varnothing D$	$\varnothing C$	$\varnothing B$	KK	L3	SW1	L1	L	CE	AX	L2	
GY-12-16	12-16	15	6	11	10	13	20	10	M6X1	11	8	12,2	55	28	15	5	
GY-20	20	15	8	14	12,5	16	24	12	M8X1,25	12	10	16	65	32	16	5	
GY-32	25	15	10	17	15	19	28	14	M10X1,25	15	11	19,5	74	35	18	6,5	

### Piston rod lock nut Mod. U



ISO 4035  
Material: zinc-plated steel.

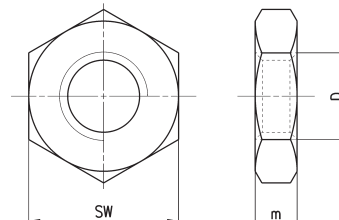


DIMENSIONS				
Mod.	∅	SW	m	D
U-8-10	8-10	7	3	M4X0,7
U-12-16	12-16	10	4	M6X1
U-20	20	13	5	M8X1,25
U-25-32	25	17	6	M10X1,25

### Nose nut Mod.V



ISO 4035  
V-8-10 / V-20-25 not according standard.  
Material: zinc-plated steel

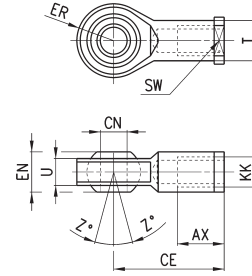


DIMENSIONS				
Mod.	∅	D	m	SW
V-8-10	8-10	M12X1,25	7	19
V-12-16	12-16	M16X1,5	8	24
V-20-25	20-25	M22X1,5	10	32

### Swivel ball joint Mod. GA



Material: zinc-plated steel  
ISO 8139

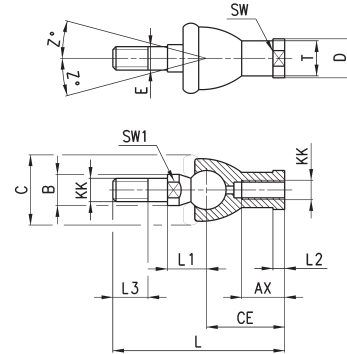


DIMENSIONS											
Mod.	∅	$\varnothing_{CN}^{(H7)}$	U	EN	ER	AX	CE	KK	$\varnothing_T$	Z	SW
GA-20	20	8	9	12	12	16	36	M8x1,25	12,5	6,5	14
GA-32	25-32	10	10,5	14	14	20	43	M10x1,25	15	6,5	17
GA-40	40-50	12	12	16	16	22	50	M12x1,25	17,5	6,5	19
GA-50-63	63	16	15	21	21	28	64	M16x1,5	22	7,5	22

### Piston rod socket joint Mod. GY



Material: zama and zinc-plated steel

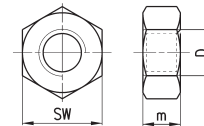


DIMENSIONS																
Mod.	∅	KK	L	CE	L2	AX	E	$\varnothing_B$	$\varnothing_C$	T	D	L1	L3	SW1	Z	
GY-20	20	M8x1,25	65	32	5	16	8	12	24	12,5	16	16	12	10	14	15
GY-32	25-32	M10x1,25	74	35	6,5	18	10	14	28	15	19	19,5	15	11	17	15
GY-40	40-50	M12x1,25	84	40	6,5	20	12	19	32	17,5	22	21	17	17	19	15
GY-50-63	63	M16x1,5	112	50	8	27	16	22	40	22	27	27,5	23	19	22	11

### Piston rod lock nut Mod. U



Material: zinc-plated steel  
ISO 4035

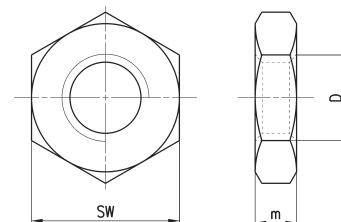


DIMENSIONS				
Mod.	∅	D	m	SW
U-20	20	M8x1,25	5	13
U-25-32	20-32	M10x1,25	6	17
U-40	40-50	M12x1,25	7	19
U-50-63	63	M16x1,5	8	24

### Nose nut Mod. V



ISO 4035  
V-27-25 / V-42-32 not according standard.  
Material: zinc-plated steel



DIMENSIONS				
Mod.	∅	D	m	SW
V-12-16	20	M16x1,5	8	24
V-27-25	25	M18x1,5	5	24
V-20-25	32	M22x1,5	10	32
V-42-32	40	M30x1,5	8	-