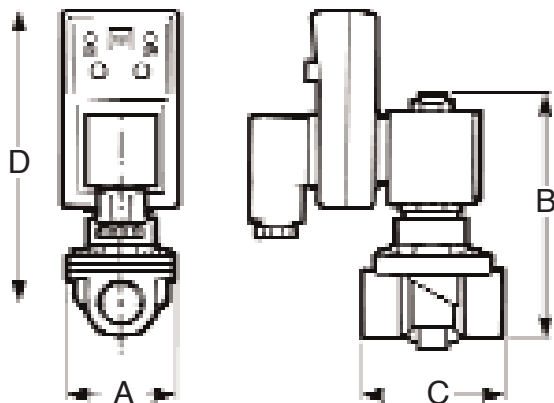


Automatic Drain Valve

- Simple to install
- Long life
- Minimum maintenance
- Manual test facility
- Solid state timer
- Variable discharge times
- LED indicators showing operational status
- Timer can be wired with an AC or DC supply
- CE tested



Dimensions			
A	B	C	D
40	75	40	120

Automatic Drain Valve	
CD50	3/8 (plus voltage)

Technical Data

Type of Construction
 Servo - Assisted
 Normally closed only

Line Media
 Non-aggressive liquids and gases, ie air, oil, water

Operating Pressure
 0.1 - 16 bar

Operating Temperature
 -10°C to +90°C

Threads
 BSPP GAS Parallel ISO 228/1

Materials
 Body: Brass
 Other Parts: Stainless steel
 Seals: Viton

Mounting
 Contact sales office for details.

Standard Voltages
 24V DC24V AC
 110V AC230V AC (50Hz)

Connection Size
 3/8

Times (variable)
 Discharge: 0.5 - 10 secs.
 Interval: 0.5 - 45 mins

Protection Rating
 IP65 with connector
 - see pages 002/032-035

Options
 Different voltages
 Different connection sizes

Special Requests
 For assistance, contact our technical office or your local Camozzi distributor.