

# Valves

## Series PSCU, PMCU, PSVU, PMVU, PSCO, PMCO

New

Unidirectional and bidirectional flow control valves  
Flow Regulators with banjo in technopolymer  
Ports G1/8, G1/4, G3/8



**These unidirectional and bidirectional flow controllers have been designed as small as possible so as to be mounted directly on valves or cylinders. The great variety of adjustable fittings makes it possible to complete the regulator with the most suitable system in relation to the available tube.**

All models are supplied complete with banjo flow controllers.

### GENERAL DATA

<b>Construction</b>	needle type
<b>Valve group</b>	unidirectional and bidirectional controller
<b>Materials</b>	body, regulation screw, collet and insert = brass - banjo and controller = technopolymer - seals = NBR
<b>Mounting</b>	by male thread
<b>Ports</b>	G1/8 - G1/4 - G3/8
<b>Installation</b>	in any position
<b>Operating temperature</b>	0°C + 60°C (with dry air -20°C)
<b>Operating pressure</b>	1 + 10 bar
<b>Nominal pressure</b>	6 bar
<b>Nominal flow</b>	see graph
<b>Nominal diameter</b>	G1/8 = 2 mm - G1/4 = 4 mm - G3/8 = 7 mm
<b>Fluid</b>	filtered air

## CODING EXAMPLE

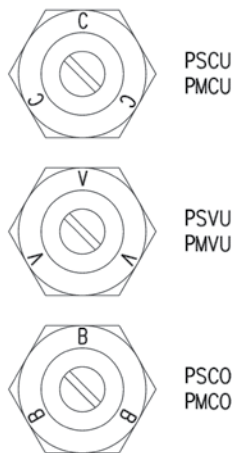
<b>P</b>	<b>M</b>	<b>CU</b>	<b>7</b>	<b>04</b>	<b>-</b>	<b>1/8</b>	<b>-</b>	<b>4</b>
----------	----------	-----------	----------	-----------	----------	------------	----------	----------

<b>P</b>	SERIES
<b>M</b>	ACTUATION: M = Manual S = Screwdriver
<b>CU</b>	ASSEMBLY: CU = on cylinders unidirectional VU = on valves unidirectional CO = bidirectional
<b>7</b>	VERSIONS: 6 = needle (screwdriver operated) 7 = needle (manual operated)
<b>04</b>	NOMINAL DIAMETER: 04 = Ø2 MAX 06 = Ø4 MAX 08 = Ø7 MAX
<b>1/8</b>	PORTS: 1/8 = G1/8 1/4 = G1/4 3/8 = G3/8
<b>4</b>	TUBE: 4 = Ø 4 6 = Ø 6 8 = Ø 8 10 = Ø 10 12 = Ø 12

To ensure the right choice of unidirectional flow controller, proceed as follows:  
calculate the quantity of air in NI/min (see cylinders table); determine the stroke time of the cylinder; refer to graph to see which is the right type of controller.

## UNIDIRECTIONAL AND BIDIRECTIONAL FLOW CONTROLLERS

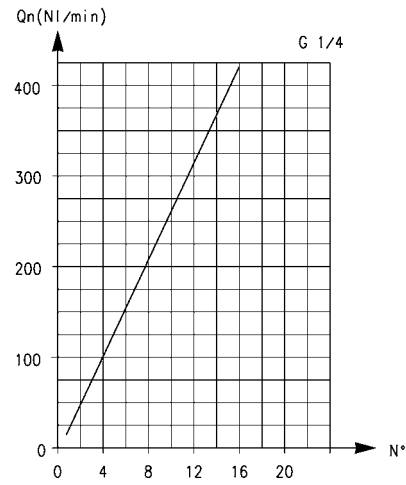
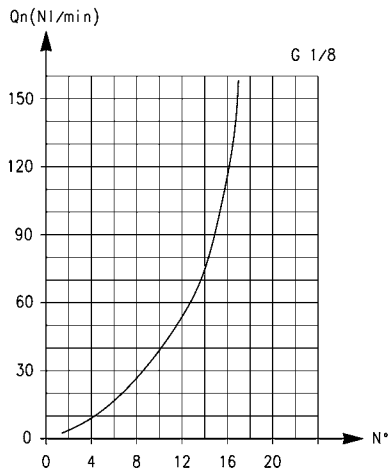
New



IDENTIFICATION OF DIFFERENT TYPES:  
PSCU - PMCU = assembly directly on the cylinders  
PSVU - PMVU = assembly directly on the valves  
PSCO - PMCO = assembly directly on the cylinders or valves

UNIDIRECTIONAL AND BIDIRECTIONAL FLOW CONTROLLERS

New



Flow Qn (NI/min.) from 2 → 1 with controller OPEN: 200  
 Flow Qn (NI/min.) from 2 → 1 with controller CLOSED: 70

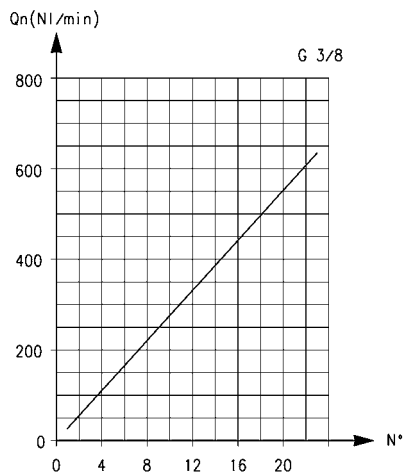
Qn = supply pressure of 6 bar and with ΔP = 1 bar at the outlet  
 N° = number of screw turns

Flow Qn (NI/min.) from 2 → 1 with controller OPEN: 530  
 Flow Qn (NI/min.) from 2 → 1 with controller CLOSED: 160

Qn = supply pressure of 6 bar and with ΔP = 1 bar at the outlet  
 N° = number of screw turns

UNIDIRECTIONAL AND BIDIRECTIONAL FLOW CONTROLLERS

New



Flow Qn (NI/min.) from 2 → 1 with controller OPEN: 710  
 Flow Qn (NI/min.) from 2 → 1 with controller CLOSED: 410

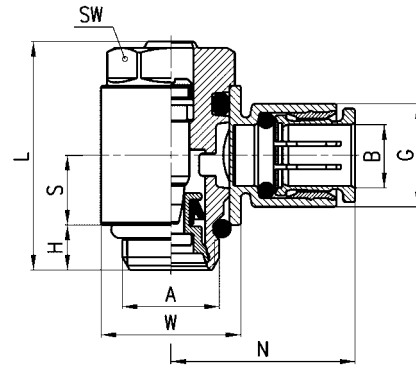
Qn = supply pressure of 6 bar and with ΔP = 1 bar at the outlet  
 N° = number of screw turns

## Valves Series PSCU

New



Unidirectional flow controller for mounting on single-acting or double-acting cylinders.  
Adjustment of setting by a screwdriver.  
Ports: G1/8, G1/4 and G3/8.



## DIMENSIONS

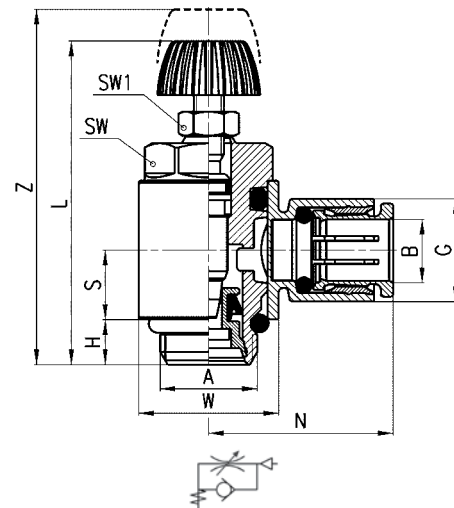
Mod.	A	B	G	H	L	N	S	W	SW
PSCU 604-1/8-4	G1/8	4	11,6	5	27	21	7,75	14	12
PSCU 604-1/8-6	G1/8	6	11,6	5	27	21	7,75	14	12
PSCU 604-1/8-8	G1/8	8	13,9	5	27	22,5	7,75	14	12
PSCU 606-1/4-6	G1/4	6	13,9	6	30,5	24,5	9,25	18,6	15
PSCU 606-1/4-8	G1/4	8	13,9	6	30,5	24,5	9,25	18,6	15
PSCU 606-1/4-10	G1/4	10	16,1	6	30,5	27	9,25	18,6	15
PSCU 608-3/8-10	G3/8	10	20,2	7	36,5	29	11	22	18
PSCU 608-3/8-12	G3/8	12	20,2	7	36,5	29	11	22	18

## Valves Series PMCU

New



Unidirectional flow controller for mounting on single-acting or double-acting cylinders.  
Adjustment of setting by a manually operated knurled screw.  
Ports: G1/8, G1/4 and G3/8.



## DIMENSIONS

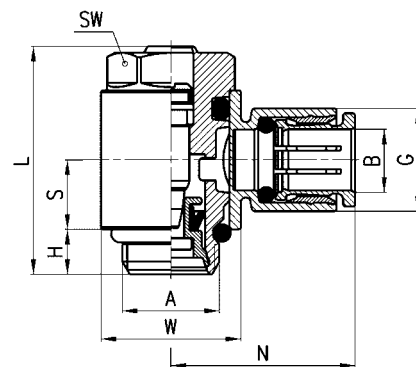
Mod.	A	B	G	H	L	N	S	W	SW	SW1	Z
PMCU 704-1/8-4	G1/8	4	11,6	5	36,5	21	7,75	14	12	7	42,5
PMCU 704-1/8-6	G1/8	6	11,6	5	36,5	21	7,75	14	12	7	42,5
PMCU 704-1/8-8	G1/8	8	13,9	5	36,5	22,5	7,75	14	12	7	42,5
PMCU 706-1/4-6	G1/4	6	13,9	6	42	24,5	9,25	18,6	15	7	48
PMCU 706-1/4-8	G1/4	8	13,9	6	42	24,5	9,25	18,6	15	7	48
PMCU 706-1/4-10	G1/4	10	16,1	6	42	27	9,25	18,6	15	7	48
PMCU 708-3/8-10	G3/8	10	20,2	7	48,5	29	11	22	18	10	56,5
PMCU 708-3/8-12	G3/8	12	20,2	7	48,5	29	11	22	18	10	56,5

## Valves Series PSVU

New



Unidirectional flow controller for mounting on valves.  
Adjustment of setting by a screwdriver.  
Ports: G1/8, G1/4 and G3/8.



## DIMENSIONS

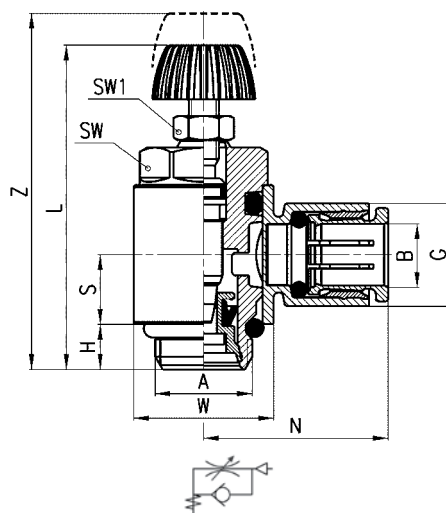
Mod.	A	B	G	H	L	N	S	W	SW
PSVU 604-1/8-4	G1/8	4	11,6	5	27	21	7,75	14	12
PSVU 604-1/8-6	G1/8	6	11,6	5	27	21	7,75	14	12
PSVU 604-1/8-8	G1/8	8	13,9	5	27	22,5	7,75	14	12
PSVU 606-1/4-6	G1/4	6	13,9	6	30,5	24,5	9,25	18,6	15
PSVU 606-1/4-8	G1/4	8	13,9	6	30,5	24,5	9,25	18,6	15
PSVU 606-1/4-10	G1/4	10	16,1	6	30,5	27	9,25	18,6	15
PSVU 608-3/8-10	G3/8	10	20,2	7	36,5	29	11	22	18
PSVU 608-3/8-12	G3/8	12	20,2	7	36,5	29	11	22	18

Valves Series PMVU

Unidirectional flow controller for mounting on valve.  
Adjustment of setting by a manually operated knurled screw.  
Ports: G1/8, G1/4 and G3/8.



New



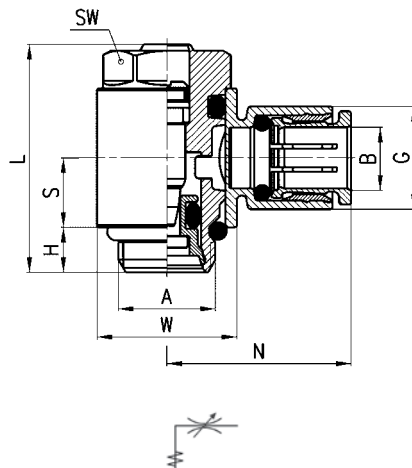
DIMENSIONS											
Mod.	A	B	G	H	L	N	S	W	SW	SW1	Z
PMVU 704-1/8-4	G1/8	4	11,6	5	36,5	21	7,75	14	12	7	42,5
PMVU 704-1/8-6	G1/8	6	11,6	5	36,5	21	7,75	14	12	7	42,5
PMVU 704-1/8-8	G1/8	8	13,9	5	36,5	22,5	7,75	14	12	7	42,5
PMVU 706-1/4-6	G1/4	6	13,9	6	42	24,5	9,25	18,6	15	7	48
PMVU 706-1/4-8	G1/4	8	13,9	6	42	24,5	9,25	18,6	15	7	48
PMVU 706-1/4-10	G1/4	10	16,1	6	42	27	9,25	18,6	15	7	48
PMVU 708-3/8-10	G3/8	10	20,2	7	48,5	29	11	22	18	10	56,5
PMVU 708-3/8-12	G3/8	12	20,2	7	48,5	29	11	22	18	10	56,5

Valves Series PSCO

Bidirectional flow controller.  
Adjustment of setting by a screwdriver.  
Ports: G1/8, G1/4 and G3/8.



New



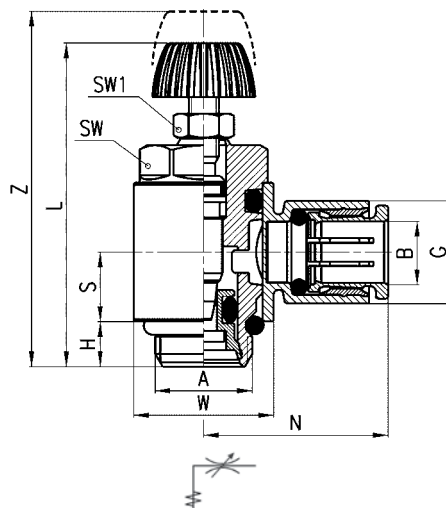
DIMENSIONS										
Mod.	A	B	G	H	L	N	S	W	SW	
PSCO 604-1/8-4	G1/8	4	11,6	5	27	21	7,75	14	12	
PSCO 604-1/8-6	G1/8	6	11,6	5	27	21	7,75	14	12	
PSCO 604-1/8-8	G1/8	8	13,9	5	27	22,5	7,75	14	12	
PSCO 606-1/4-6	G1/4	6	13,9	6	30,5	24,5	9,25	18,6	15	
PSCO 606-1/4-8	G1/4	8	13,9	6	30,5	24,5	9,25	18,6	15	
PSCO 606-1/4-10	G1/4	10	16,1	6	30,5	27	9,25	18,6	15	
PSCO 608-3/8-10	G3/8	10	20,2	7	36,5	29	11	22	18	
PSCO 608-3/8-12	G3/8	12	20,2	7	36,5	29	11	22	18	

Valves Series PMCO

Bidirectional flow controller.  
Adjustment of setting by a manually operated knurled screw.  
Ports: G1/8, G1/4 and G3/8.



New



DIMENSIONS											
Mod.	A	B	G	H	L	N	S	W	SW	SW1	Z
PMCO 704-1/8-4	G1/8	4	11,6	5	36,5	21	7,75	14	12	7	42,5
PMCO 704-1/8-6	G1/8	6	11,6	5	36,5	21	7,75	14	12	7	42,5
PMCO 704-1/8-8	G1/8	8	13,9	5	36,5	22,5	7,75	14	12	7	42,5
PMCO 706-1/4-6	G1/4	6	13,9	6	42	24,5	9,25	18,6	15	7	48
PMCO 706-1/4-8	G1/4	8	13,9	6	42	24,5	9,25	18,6	15	7	48
PMCO 706-1/4-10	G1/4	10	16,1	6	42	27	9,25	18,6	15	7	48
PMCO 708-3/8-10	G3/8	10	20,2	7	48,5	29	11	22	18	10	56,5
PMCO 708-3/8-12	G3/8	12	20,2	7	48,5	29	11	22	18	10	56,5