

Pressure Switches, Transducers and Pressure Indicators

2

Series PM: adjustable-diaphragm pressure switches, ports R1/8, G1/4

Series TRP: electro-pneumatic transducer, connection for tube 4/2

Series 2950: pressure indicators, ports M5



The diaphragm pressure switches in the PM Series are available in two versions: one with N.C. (normally closed) contacts and one with N.O. (normally open) contacts.

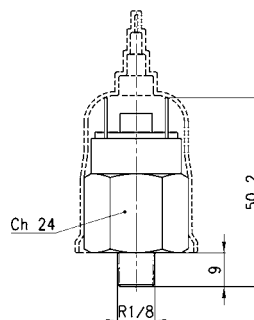
A regulating screw, which can be adjusted using a small screwdriver, allows the switch to be set to the required pressure.

The calibrated diaphragm enables an electrical signal to be generated or inhibited depending on the pressure set.

GENERAL DATA

Construction	with adjustable diaphragm
Mounting	using thread in body
Ports	G1/8 - tube 4/2 - M5
Operating temperature	-5° ÷ +60°C
Pressure	1 ÷ 10 bar max.
Voltage	220 V
Max. power	100 V.A.
Protection class	IP54
Max. nr. of pulses per 1'	200
Lifetime	106
Max current	0.5 A
Isolation voltage	1500 V

Adjustable-diaphragm pressure switches Series PM



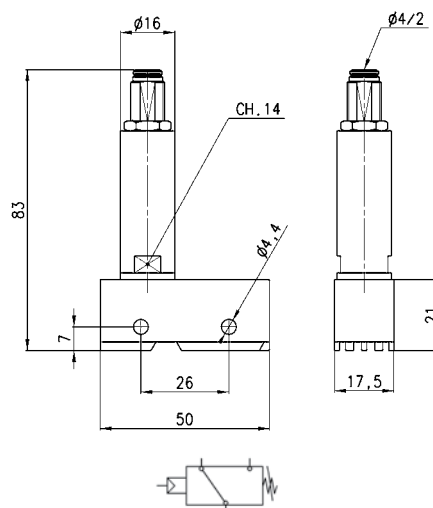
Mod.	Function	Max Voltage	Max Power	Service Type	Insulation voltage	Symbol
PM11-NC	NC = Normally Closed	48 V AC DC	24 VA	Heavy	500 V	A6
PM11-NA	NA = Normally Opened	48 V AC DC	24 VA	Heavy	500 V	B6



Electro-pneumatic transducer Series TRP



The TRP Series transducer is specially designed to convert a pneumatic signal into an electrical signal. The contacts are N.C. (normally closed) or N.O. (normally open), thus making it possible to generate or eliminate current when the pneumatic signal is present. Minimum operating pressure 2,5 bar.

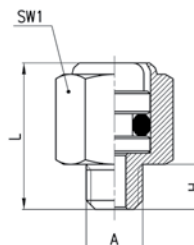


Mod.
TRP-8

Pressure indicators Series 2950



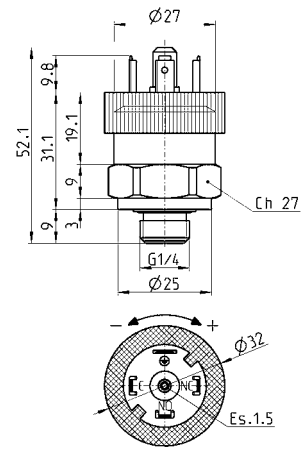
The pressure indicator Mod. 2950-M5 is passive element (no spring, red). It is useful for detecting pressure manually without having to remove the connections.



DIMENSIONS				
Mod.	A	H	L	SW1
2950 M5	M5	4	13,5	8

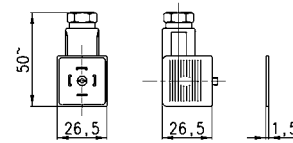
Pressure switch Series PM

Pressure switch with exchange contacts



Mod.	Function	Max Voltage	Operating Temperature	Actuation time	Regulation area	Max Hysteresis
PM11-SC	SC = Contacts of exchange	250 V AC 30 V DC	- 25 C° + 85 C°	> 0,1 ms	2 + 10 bar	0,8 bar

Three-pole connector 124-830 for Pressure switch SC



Mod.
124-830